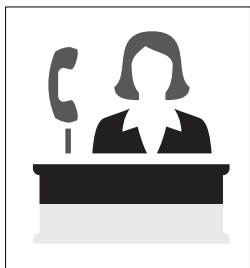
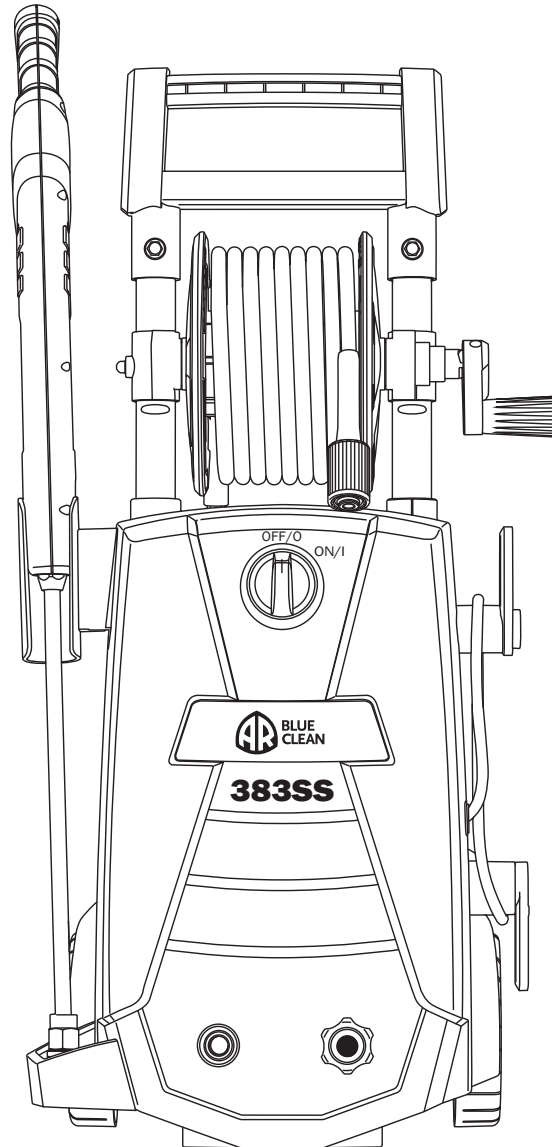




**BLUE<sup>®</sup>  
CLEAN**

# Instruction Manual

## Model AR383SS



Customer Help Line  
1-866-235-5112



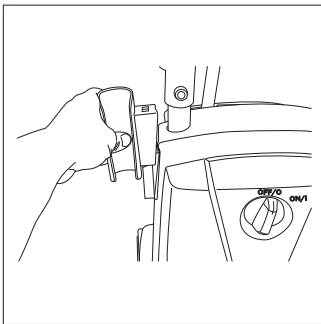
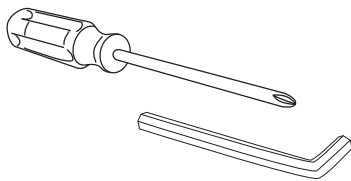
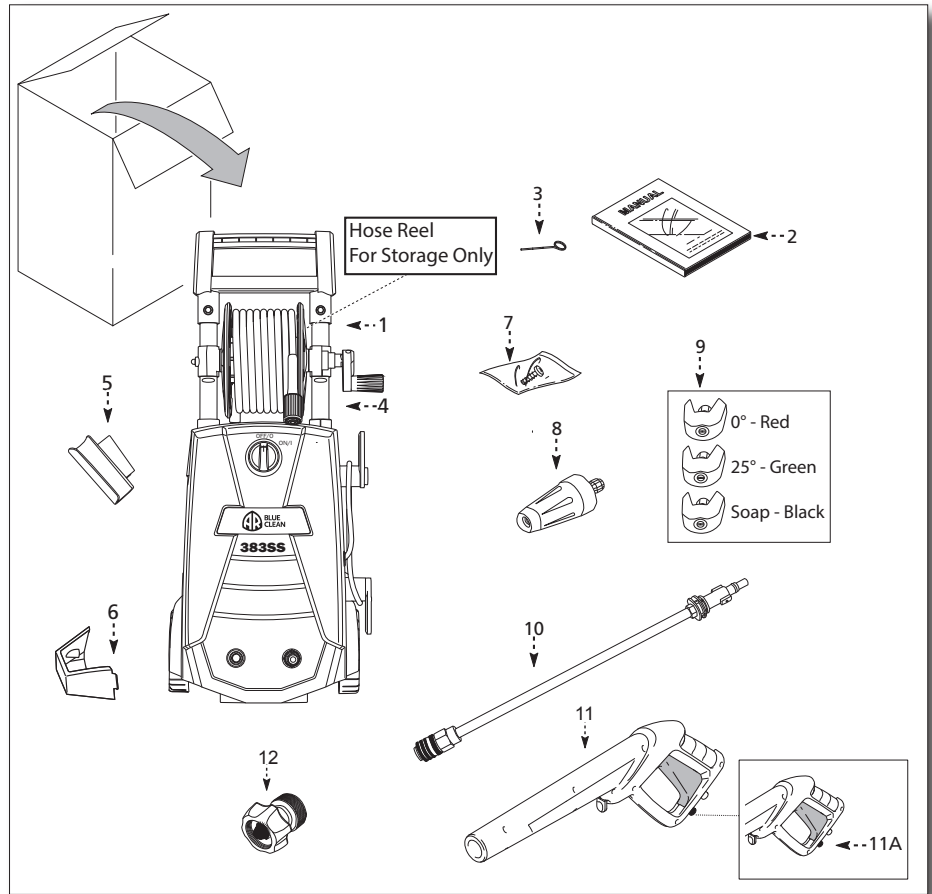
**WARNING:** To reduce the risk of injury, the user must read and understand the instructions before using this product.

**SAVE THESE INSTRUCTIONS FOR FUTURE REFERENCE**

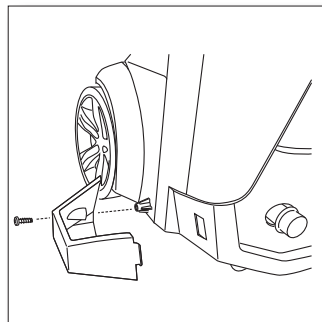
# QUICK START GUIDE

## PACKAGE CONTENT:

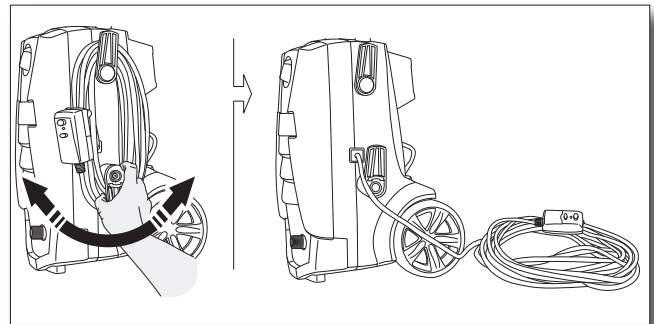
1. Power washer unit
2. Manual
3. Nozzle cleaning wire (may be taped to the manual)
4. High pressure hose
5. Spray gun holder
6. Nozzle tray
7. Screws (1 for nozzle tray)
8. Rotary nozzle
9. Quick connect nozzles (0°, 25°, Soap)
10. Lance
11. Spray gun (11A shows trigger lock button)
12. Garden Hose Adapter (Connect to Garden Hose)



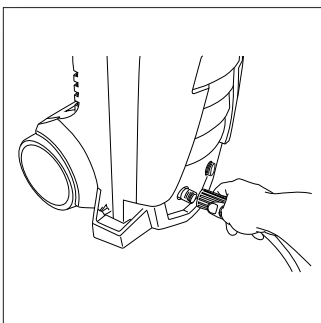
1. Slide Gun holder on side.



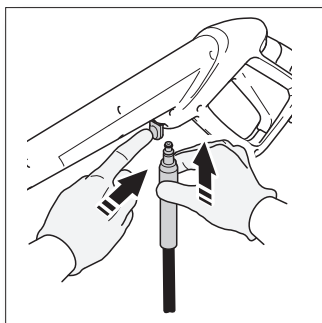
2. Snap in place and screw lance tray.



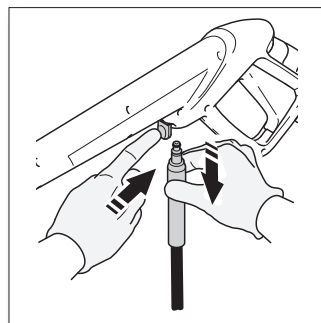
3. Swivel bottom cord hook right or left to easily remove the power cord.



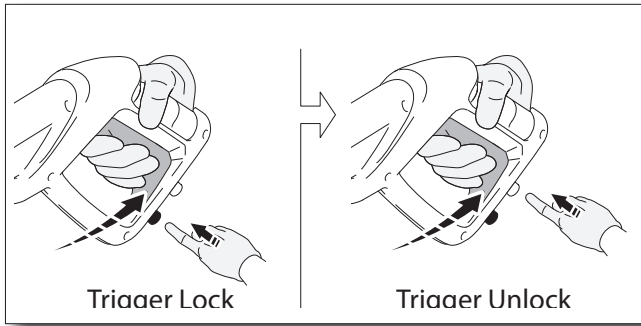
4. Attach high pressure hose to power washer.



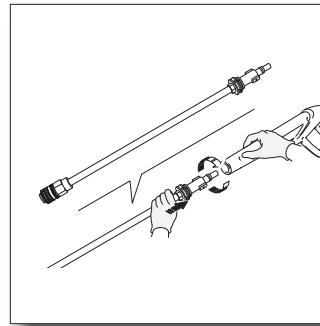
5. Attach high pressure hose to spray gun.



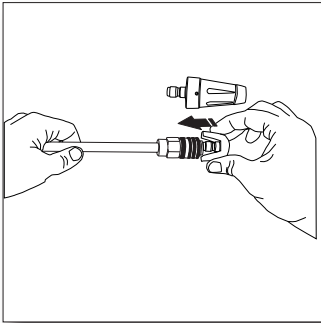
6. Remove high pressure hose to spray gun.



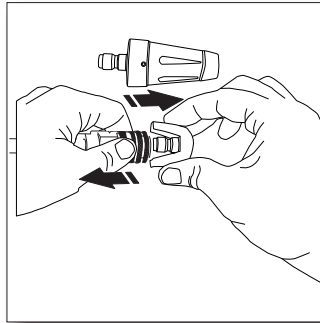
7. Press front button in to lock the trigger. Press back button to unlock trigger.



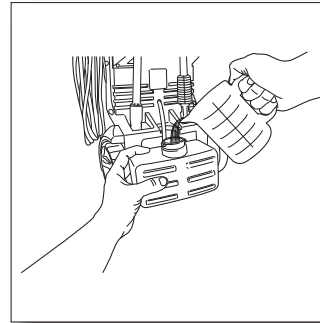
8. Connect lances to spray gun, insert lance into spray gun, push together and at the same time twist clockwise to lock in place. Removing push together and twist counterclockwise then pull apart.



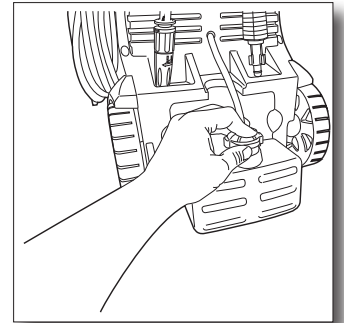
9. Attach nozzle to lance by pushing into place.



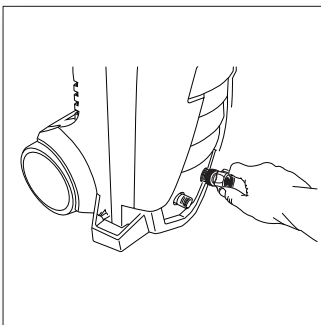
10. Remove nozzle by pulling collar back on lance and pulling out nozzle.



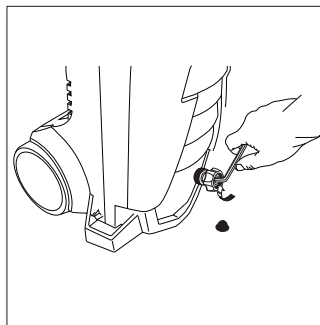
11. Fill detergent tank. Do NOT use thick detergent as it can clog the power washer.



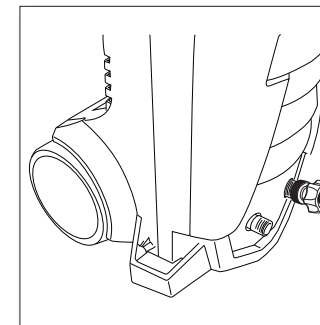
12. Pull clear siphoning tube through cap so it will draw detergent from bottom of tank.



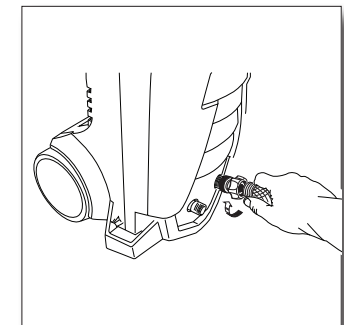
13. Attach the "silver" collar directly to the power washer water inlet and hand tighten.



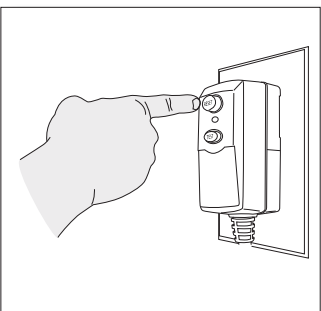
14. Remove washer filter, then using an allen wrench, tighten until snug. DO NOT over tighten.



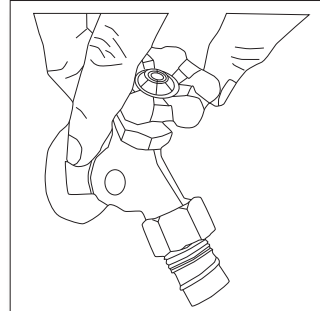
15. Replace the washer filter.



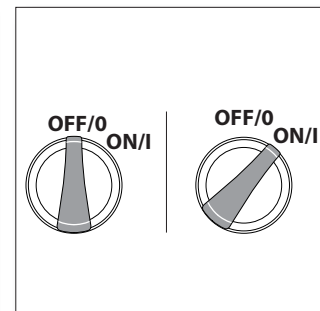
16. Attach garden hose to the blue collar.



17. Plug machine into a grounded outlet, push reset button.



18. Turn on water.



19. Switch ON and OFF positions.

# TABLE OF CONTENTS

Quick Start.....	2	How to Clean.....	14
Specifications .....	4	Operating Tips and Maintenance.....	14
Limited Warranty .....	4	Storage.....	16
Warranty Process.....	4	Pump Saver.....	17
Introduction.....	5	Replacement Parts.....	18
Safeguard, Warnings & Safety Tips.....	5	Troubleshooting and FAQ.....	19
Package Content.....	7		
Unpacking & Assembly.....	8		
Operating Instructions .....	13		

## SPECIFICATIONS

Model	Max PSI (lbs/sq/in)	Max GPM (gal/per/min)	Max Temp	Volts	Amps	Weight (lbs)
AR383SS	1,900	1.3	122° F	120	13	34

## LIMITED WARRANTY

This product is under warranty to the original retail consumer against defects in material and workmanship for a period of 1 (one) year and is a complete “bumper to bumper” warranty including the spray gun, the high pressure hose and all accessories from the date of purchase. The warranty is not transferable or assignable. This warranty covers replacement parts. This limited one year warranty applies only to products used in consumer applications and is void in rental or any commercial application. Reasonable care must be used in conformity with operation and maintenance instructions in the owner’s manual and quick start guide. Failure to follow these instructions will void this warranty.

## WARRANTY PROCESS

Keep your original receipt of purchase in case of warranty claim.

If your power washer develops a problem, contact Customer Service by one of the two methods:

1. Send an e-mail to [info@arblueclean.com](mailto:info@arblueclean.com) with your name, address the model of your power washer, when and where you purchased it. Describe in the e-mail the problem you are having. A Customer Service person will contact you to resolve the problem.
2. Call our toll-free number at 1-866-235-5112. Customer Service is available Monday - Friday 8:00 a.m. to 5:00 p.m. Central Standard Time (CST). The Customer Service person will work with you to fix the problem.

If the power washer needs to be returned for repair, shipping costs to the company must be paid by the customer. A **Return Merchandise Authorization (RMA) Number** will be issued for the return. Upon receiving the power washer, the company will repair or replace the unit. We will send unit back to customer at no charge.

Please note: Power washers sent to the company **without an RMA Number will NOT be accepted** and shipped back at the expense of the sender.

## INTRODUCTION

**Congratulations** on the purchase of your **BLUE CLEAN POWER WASHER!**

Your **BLUE CLEAN POWER WASHER** is a power tool in every sense of the word that may be used outside your house and in. It is one of the finest most powerful home-use power washers in the marketplace today.

Please familiarize yourself with the following assembly, operating and safety information. Read this manual before using the power washer. Failure to follow these instructions could cause personal injury, property damage, or both. Save this manual for other users to read prior to using the power washer.

If you have any questions about or problems with your power washer please call our toll-free number **1- 866-235-5112** and talk with our Customer Service Support Team at AR North America Inc. We are available to talk with you Monday through Friday from 8 a.m. to 5 p.m. Central Standard Time (CST). We can help you with questions regarding operation, warranty, replacement or optional parts, or contact us at [info@arblueclean.com](mailto:info@arblueclean.com).

For more information on the **BLUE CLEAN POWER WASHERS** go to [www.arblueclean.com](http://www.arblueclean.com). Power washers, parts, and accessories can be ordered online 24 hours a day, 7 days a week for your convenience.

## SAFEGUARDS, WARNINGS AND SAFETY TIPS



- To avoid personal injury and/or damage to property and to maximize your power washing experience, carefully follow all of the safety tips, instructions, warnings and safeguards and become familiar with all of the controls. Be sure you know how to quickly bleed off the pressure from all parts of your power washer, and how to turn off the power washer .
- This power washer conforms to CSA and other safety and consumer standards. Do not modify or rebuild any part of your power washer.
- Do not use your power washer when you are under the influence of alcohol or drugs. Use this power tool carefully and only when you are alert .
- Watch your balance and footing while using your power washer. Surfaces become slippery when wet and are extra slippery when using a detergent or cleaner.
- Never operate the power washer in bare feet, sandals, or open-toed shoes.
- When using the power washer near children make sure they are closely supervised by an adult to avoid injury. Never let a child use the power washer.
- Keep fingers, hands, feet and any part of your body clear of the stream of high pressure water. The powerful spray can cause blindness or blast holes in the skin. It can break a window if you are too close when you pull the trigger on the spray gun .
- Always wear eye protection to prevent injury to eyes when operating the power washer.
- To avoid mishaps or injury, always use the trigger safety lock when not using the power washer even if the spraying stops for a moment.
- The power washer is equipped with a Ground Fault Circuit Interrupter (GFCI) which greatly reduces the chance of electric shock while the unit is in use.
- Point the spray gun in a safe direction when beginning a power washing session.
- When first using the spray gun, hold the spray gun and lance with two hands when pulling the trigger until you get used to the “kick back” from the spray gun (one hand to pull the trigger and the other to stabilize the gun assembly).



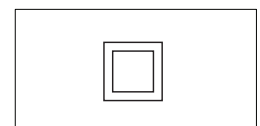
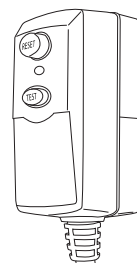
- When you press the power switch to turn off the power washer, water pressure may remain in the system. To discharge the pressure, point the spray gun in a safe direction and pull the trigger.
- Never spray flammable liquids.
- Never use the power washer in areas that contain combustible dust, liquids or vapors.
- Avoid contact of the pressure hose with sharp objects and examine the hose regularly. Replace if damaged. Due to the high pressure involved, it cannot be repaired if cut or damaged.
- Only use detergent specifically formulated for power washers and follow instructions on the detergent's label. We have a selection of power washer detergents to choose from. Go to [www.arblueclean.com](http://www.arblueclean.com) for more information and to order the detergents. Power washer detergents are also available at your local hardware store.
- Protect eyes, lungs, and skin from exposure to detergent. Dish or laundry soap is too thick and will clog the nozzle of your detergent tank.
- **IMPORTANT:** Store the power washer indoors to prevent the water in the unit from expanding under freezing conditions. When the water freezes and expands, your power washer will be damaged and become inoperable. Or, if storing outdoors, it is recommended you use Pump Saver. Pump Saver can be purchased on our website: [www.arblueclean.com](http://www.arblueclean.com). See details in the Pump Saver section of this manual.
- Never use hot water with your power washer. It will overheat and damage the high pressure pump.
- Never leave the power washer unattended while it is powered "on".
- Always turn the water supply "on" before turning the power washer power to "on". Running the pump dry will cause damage to the internal components.
- Never use a water supply to your power washer that exceeds 150 psi maximum.
- Never disconnect the high pressure hose from the power washer while the system is pressurized.
- Never permanently engage the trigger mechanisms on the spray gun.
- Never operate the power washer unless all components are properly and securely connected.
- Never allow the power washer pump to run for more than one minute, after you have turned off the water supply. This can cause the motor and pump to overheat and fail.
- Never use lances or other parts that have not been supplied with your power washer.
- Never use an extension power cord since it defeats the effectiveness of the GFCI and increases the chance of electrocuting the operator.
- Never spray any electrical outlet with your power washer.
- Inspect the power cord before using. Do not use it if it is damaged.

### Servicing of a Double-Insulated Appliance

In a double-insulated product, two systems of insulation are provided instead of grounding. Grounding means are not provided for a double-insulated product, nor should grounding means be added to the product.

Servicing a double-insulated product requires extreme care and knowledge of the system, and should only be done by qualified service personnel.

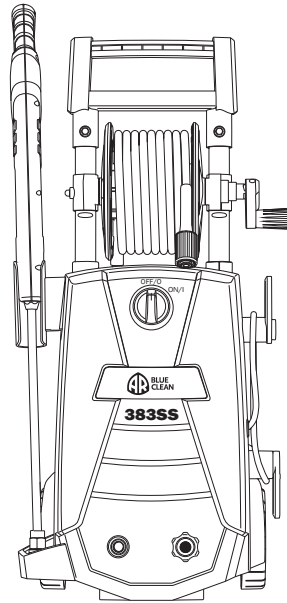
Replacement parts for a double-insulated product must be identical to the original parts. A double-insulated product is marked with the words "Double Insulation" or "Double Insulated". Product may also be marked with symbol shown here.



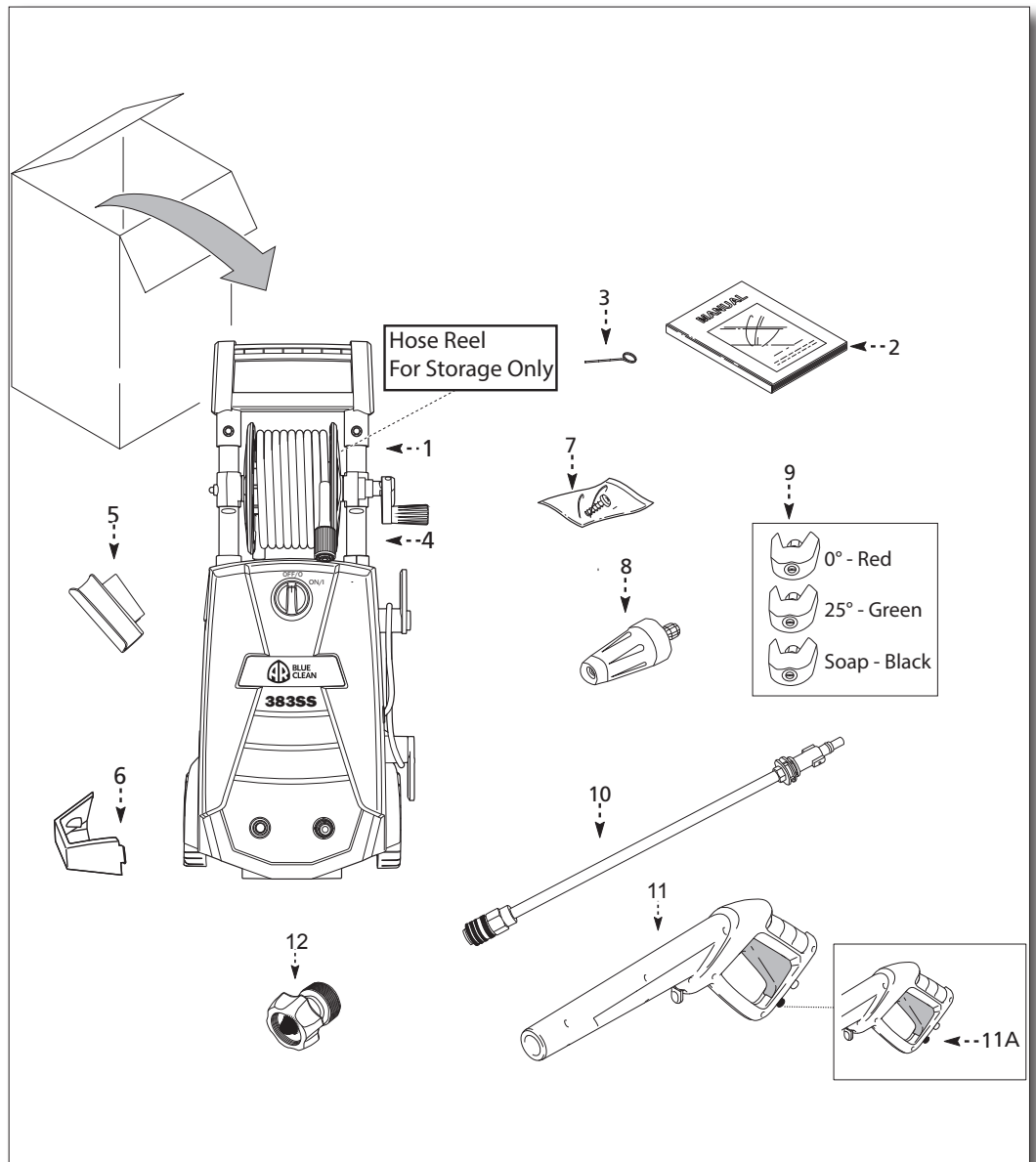
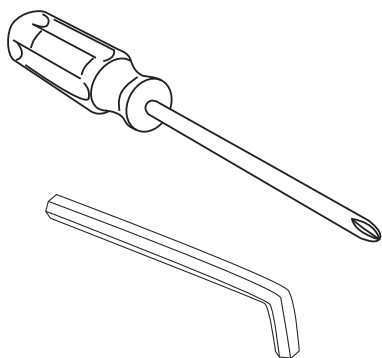
Double Insulated Product

# PACKAGE CONTENT:

1. Power washer unit
2. Manual
3. Nozzle cleaning wire (may be taped to the manual)
4. High pressure hose
5. Spray gun holder
6. Nozzle tray
7. Screws (1 for nozzle tray)
8. Rotary nozzle
9. Quick connect nozzles (0°, 25°, Soap)
10. Lance
11. Spray gun (11A shows trigger lock button)
12. Garden Hose Adapter (Connect to Garden Hose)



**Note** - tool(s) required for assembly Philip Screwdriver and Allen Wrench:



## UNPACKING & ASSEMBLY

- After unpacking the BLUE CLEAN POWER WASHER, lay out parts and accessories. Familiarize yourself with the parts in the package by comparing them to those listed on the “PACKAGE CONTENTS” page.
- The BLUE CLEAN POWER WASHER requires some minor assembly. You’ll need a Phillips screwdriver to install the high pressure hose hook and the nozzle tray.

**NOTE:** Some parts may or may not be already assembled.

- High pressure hose is stored on the hose reel. With the front of the power washer facing towards you, insert the un-threaded end of the high pressure hose into the square hole on the inner reel and begin turning the handle away from you. When finished winding, push the handle in to lock it in place.

**NOTE:** The hose reel is only for storing the high pressure hose. The hose must be completely removed from the hose reel each time you use the power washer.

- Slide the spray gun holder onto the left side of the washer when facing it. This does not require any screws. **(Fig. 1)**
- Slip tab into slot and screw the nozzle tray on the bottom portion of the unit. **(Fig. 2)** When placing the gun with the lance attached the nozzle will rest in this tray.

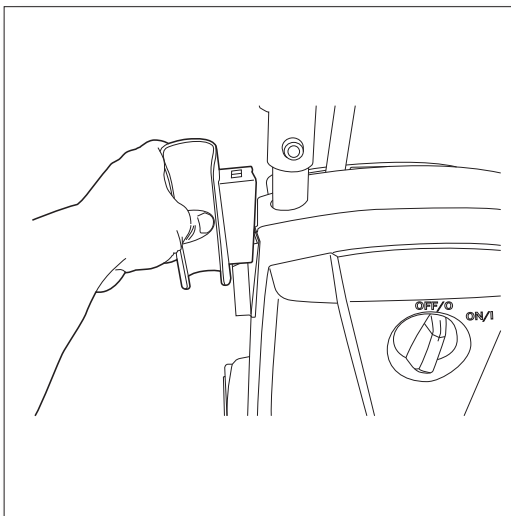


Fig. 1

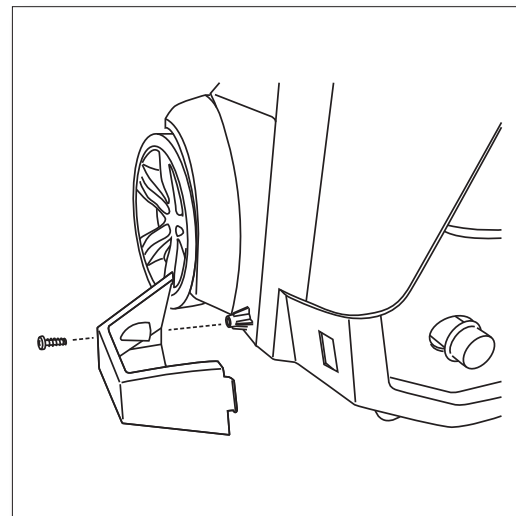


Fig. 2

- Easily remove the power cord from side of unit by swiveling the bottom cord hook to the right or left until it faces up. The power cord then can be easily slid off of the side of the power washer unit. **(Fig. 3)**
- Swivel cord hook back down when ready to wrap the cord back into place for storage.

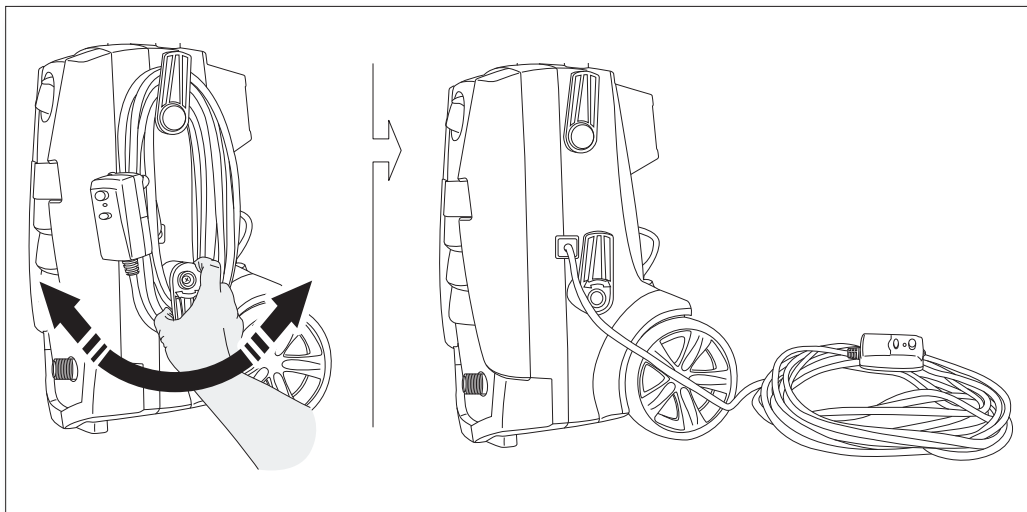


Fig. 3



## High Pressure Hose

- Screw the high pressure hose (clockwise) on the left of the unit at the bottom (**Fig. 4**). Pull back the collar and insert o-ring post into the water outlet far enough so the collar can thread onto the outlet threads until hand tight. Do not use pliers or vice grips to tighten. If it takes fewer than six or so turns you have not properly tightened the high pressure hose fitting. It is easier to position the power washer in front of you so to ensure that the threads are started correctly. Failure to properly tighten the high pressure hose will result in the hose slipping or popping off immediately upon turning the unit on. Do not worry about damage if this occurs - just reinstall and take extra care at screwing on the high pressure hose fitting.
- Connect the other end of the high pressure hose to the spray gun by inserting the brass metal tip of the high pressure hose into the fitting just ahead of the trigger guard. It will lock into the spray gun with a “click” (**Fig. 5**). Confirm the hose is locked into the spray gun by pulling slightly on the hose. The hose is now securely attached to the spray gun.

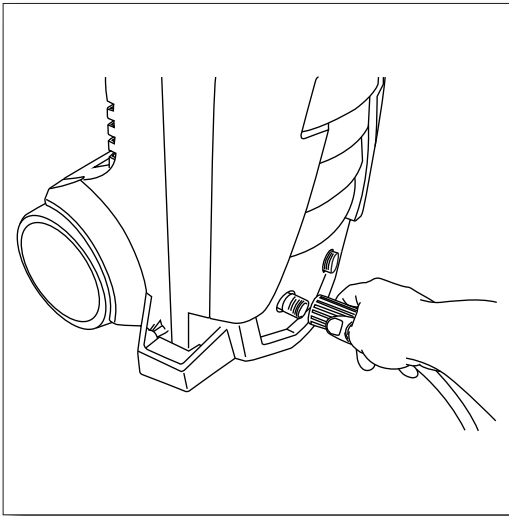


Fig. 4

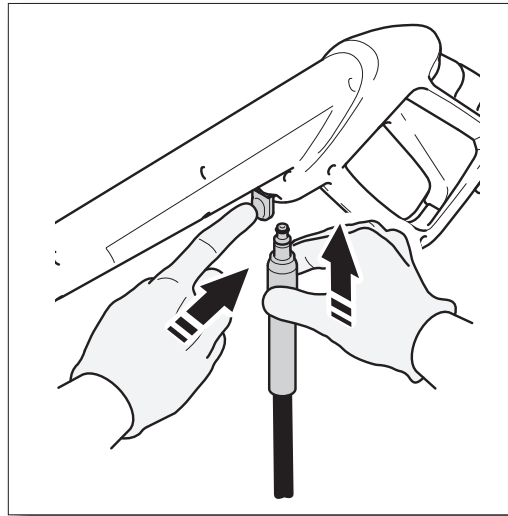


Fig.5

- To release the hose from the spray gun, press the button on the underside of the gun toward the trigger guard. The hose will slide out from the connection (**Fig. 6**).

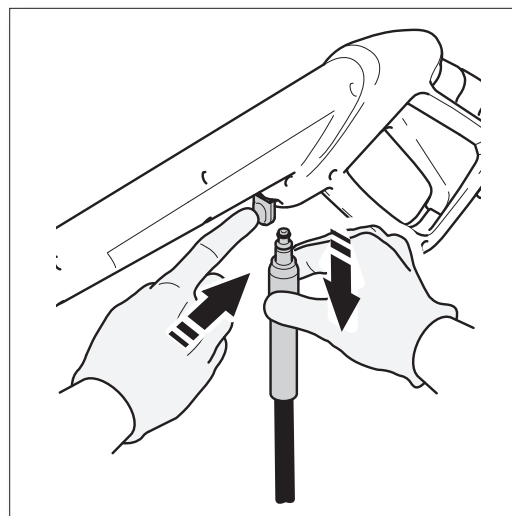


Fig. 6

## Spray Gun

- To lock the trigger of the spray gun pointing the gun away from you and push the lock button front to lock, (**Fig. 7**), after doing so, squeeze or pull the trigger to make sure it is locked and will not move. Always leave lock button in lock position when not in use. This ensures the gun is in “safe” mode until it is ready for use.

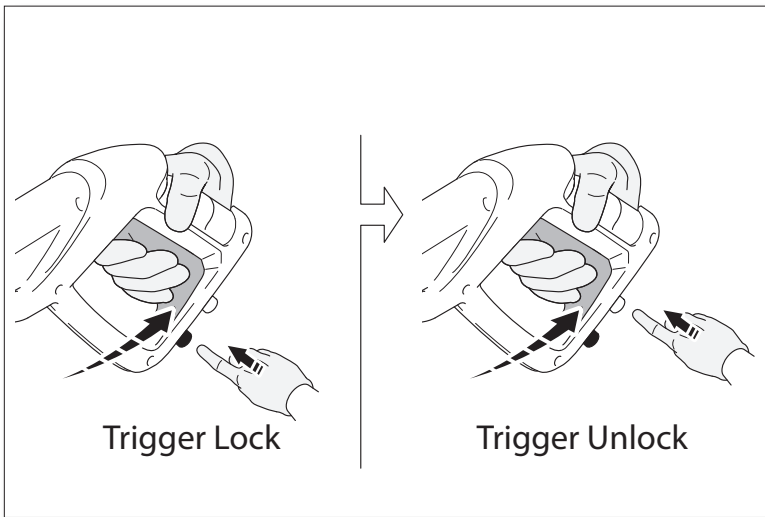


Fig. 7

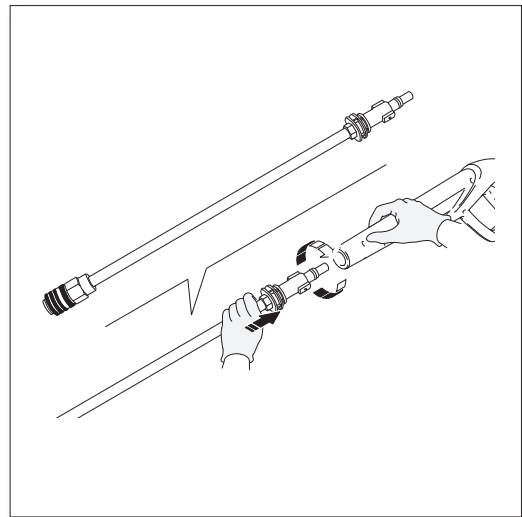


Fig. 8

## Lance

- While the spray gun is in the locked position, insert the lance into the end of the spray gun by inserting and pushing together turning clockwise simultaneously. To remove push together and turn counter clockwise (**Fig. 8**).

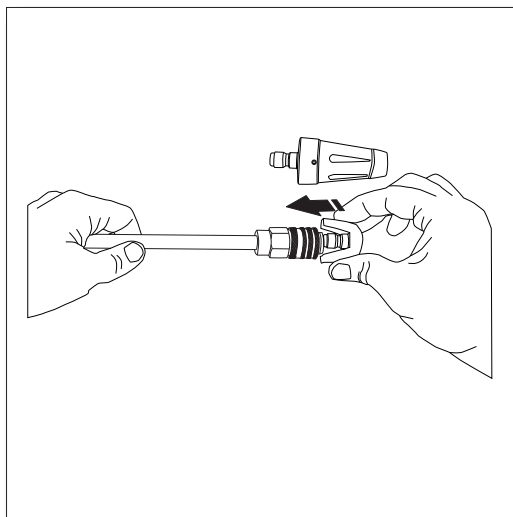


Fig.9

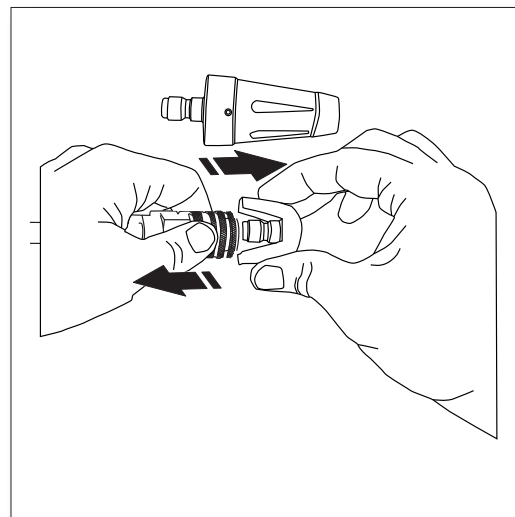


Fig.10

- Attach nozzles into the end of the lance by pressing selected nozzle into place, it will make a click sound when firmly in place (**Fig. 9**). To remove nozzle, pull back on the collar on the lance and pull out the nozzle (**Fig. 10**).

**Remember to always** push the safety lock button to lock the trigger when changing lances and nozzles, to ensure that they do not accidentally eject with force during removal.

- When using the turbo lance, make sure the nozzle is snapped on tight at the end of the lance, each time you use it. The Turbo nozzle is designed for high impact cleaning. Only use on hard surfaces such as driveways, cement surfaces, patio bricks, etc.

**Always test** a small area to avoid chance of damaging the surface. (**Fig. 11**)

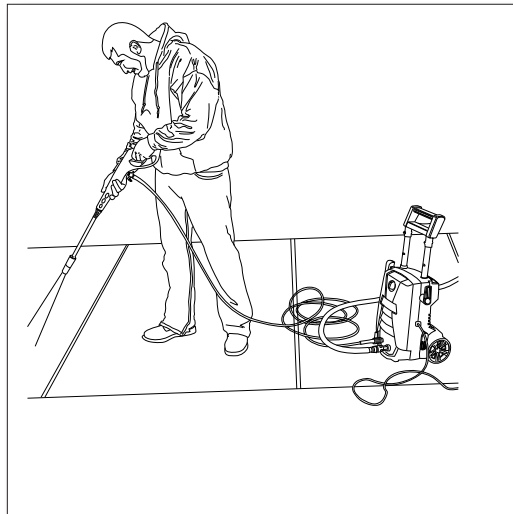


Fig. 11

**IMPORTANT NOTE:** When applying detergent use the soap nozzle.

- When using the detergent, fill it with a properly formulated detergent or cleaner with water ratio according to instructions on the container (**Fig. 12**). The detergent tank comes with a straw which is fitted into the screw-on top. If you don't see the straw, look inside the tank and attach it to the screw-on top (**Fig. 13**).

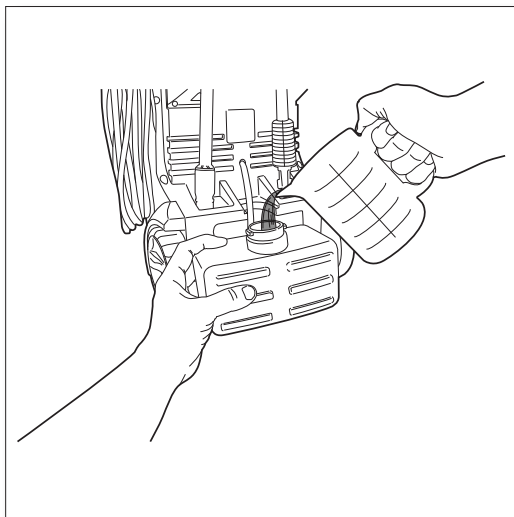


Fig. 12

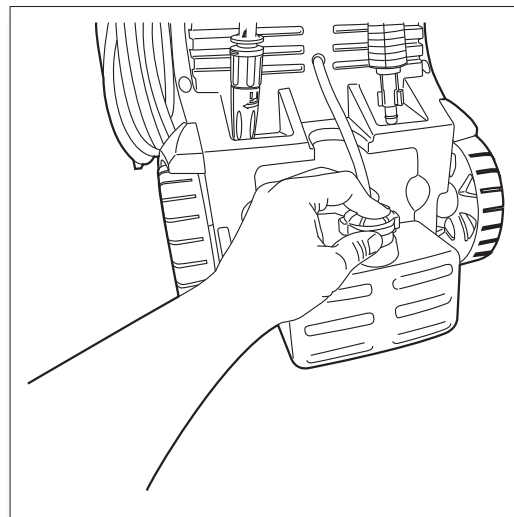


Fig. 13

- When removing the detergent tank remove lid and place finger in tank lifting up while pulling tank out.

## **Garden Hose Adapter**

- Attach the “silver” collar directly to the power washer water inlet and hand tighten. **(Fig. 14)**
- Remove washer filter, then using an 8mm or 5/16 allen wrench, tighten until snug. DO NOT over tighten. **(Fig. 15)**

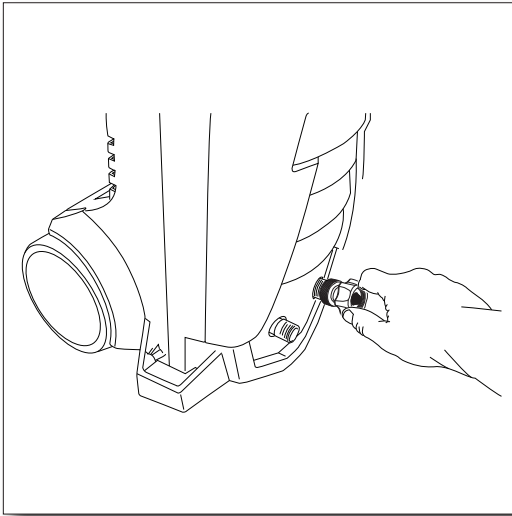


Fig. 14

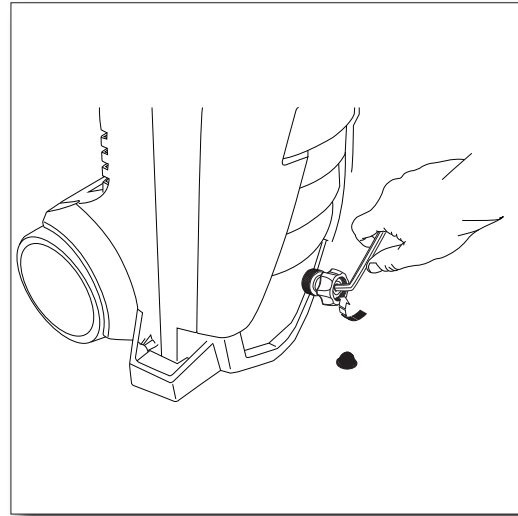


Fig. 15

- Replace the washer filter and attach garden hose to the blue collar. **(Fig. 16 & 17)**

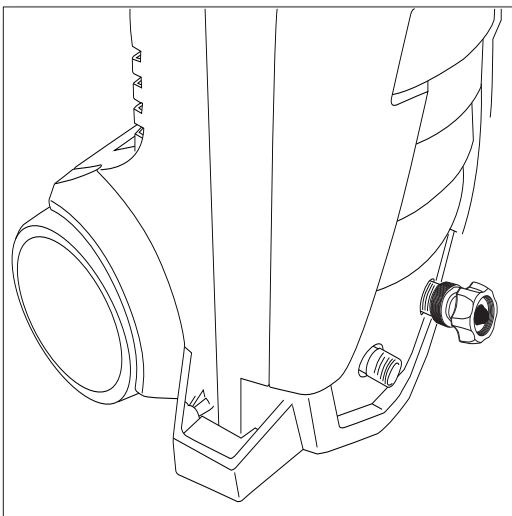


Fig. 16

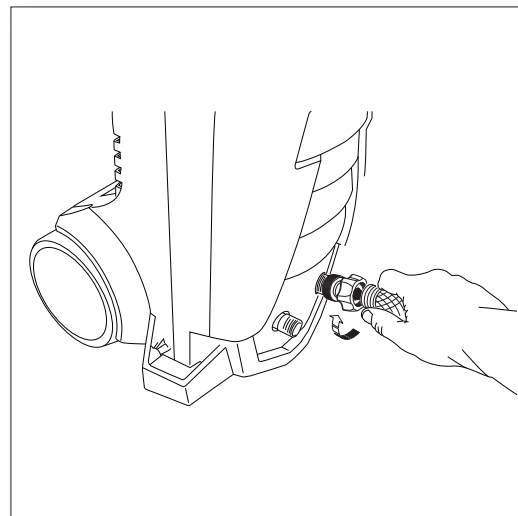


Fig. 17

- You have now completed the assembly of your **BLUE CLEAN POWER WASHER** and are now ready to begin using your electric power washer. Read and observe all safety instructions.

# OPERATING INSTRUCTIONS

**\*!Turn on the water supply at the faucet.!\*** (Fig. 18)



Fig. 18

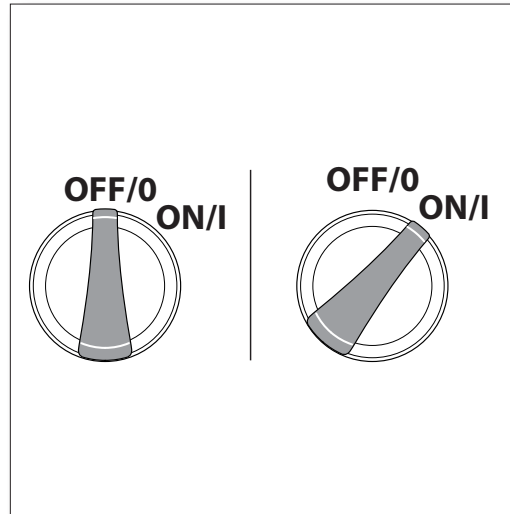


Fig. 19

## Powering Up

- Make sure the “ON/OFF” switch is in the “OFF” position. The power switch has international symbols for ‘on’ and ‘off’: On (I) Off (O), (Fig. 19).
- Unwind the power cord completely and plug the GFCI into a grounded 120 volt outlet. Press the ‘reset’ button on the GFCI box (Fig. 20). The indicator window should show a red color. This must be done each time the unit is plugged in.

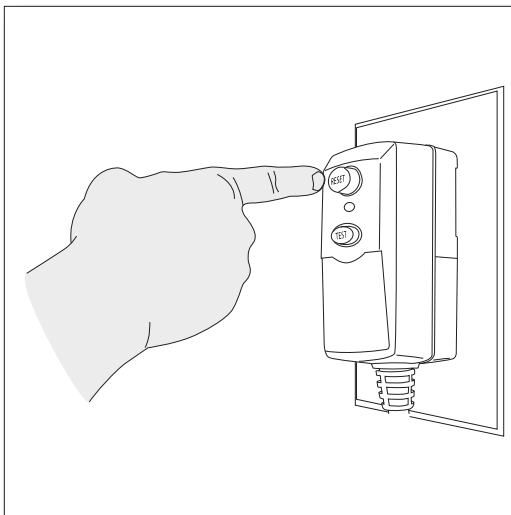


Fig. 20

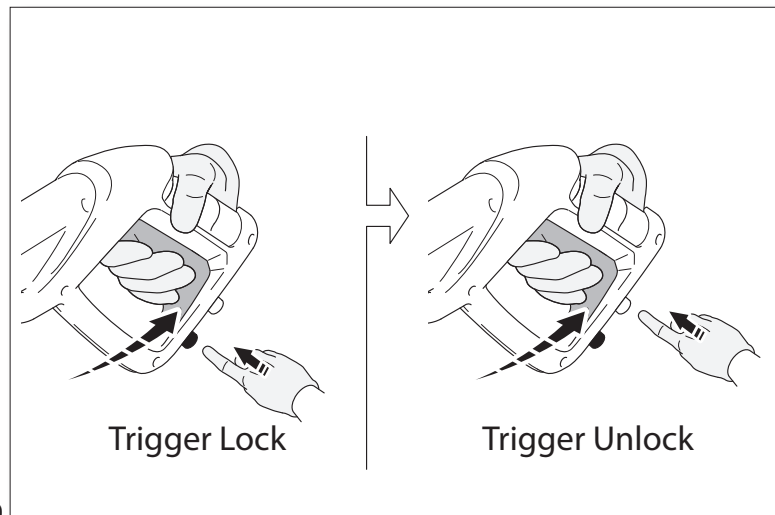


Fig. 21

- Release the safety lock button on the spray gun by pressing the safety lock in the back under the handle (Fig. 21). While pointing the spray gun in a safe direction, squeeze the trigger on the spray gun until there is a steady stream of water, letting the water and air out of the hose. Press the button in front to lock the trigger.
- Turn the power switch to the ‘ON’ (I) position. The unit will turn on for 1 - 2 seconds and shut off, this is a normal function of the (TSS) auto start feature. Squeeze the spray gun trigger to begin pressure washing.
- Squeezing rapidly will cause the (TSS) feature to miss an on/off cycle that may prevent from turning on while squeezing trigger after rapid squeezing. Use slow deliberate trigger pulls to avoid such symptoms.

# HOW TO CLEAN

## Cleaning nozzles

- A clogged or partially clogged nozzle can cause significant reduction of water pressure coming out of the nozzle and/or cause the unit to pulsate while spraying.
- Turn off the unit
- Turn off the water supply to the unit
- Relieve any pressure trapped in the hose by squeezing the trigger 2-3 times, and then lock the spray gun by pushing the lock button from left to right.
- The screens inside the adapter should be cleaned periodically. Rinse it with clean water, and then place it back in the adapter.
- Using the nozzle tip cleaner provided (or an unfolded paper clip), insert the wire into the nozzle hole and move back and forth until debris is dislodged (**Fig. 22**). Back flush water through the nozzles using garden hose and highest pressure available (either standard water nozzle or use your thumb over the nozzle to create water pressure for back flush).

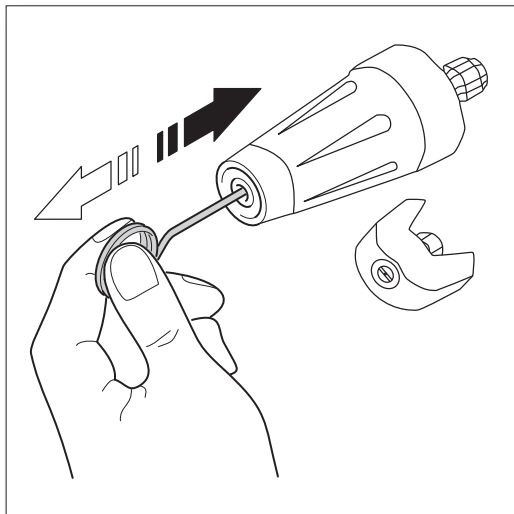


Fig. 22

## OPERATING TIPS AND MAINTENANCE

- If you hear the motor run intermittently when the trigger is not being squeezed, that is normal. The pump is priming itself so it is ready to operate when the trigger is squeezed. Turn off the power washer if not being used after five minutes.
- The o-rings on the bayonet end of the lance should be cleaned regularly and lubricated with non-water soluble grease such as petroleum jelly.
- Keep the nozzle cleaning wire, which is taped to this manual for use in unclogging the lance nozzle. If you lose the cleaning wire an unbent paper clip works fine.

### How to Avoid Damaging Surfaces

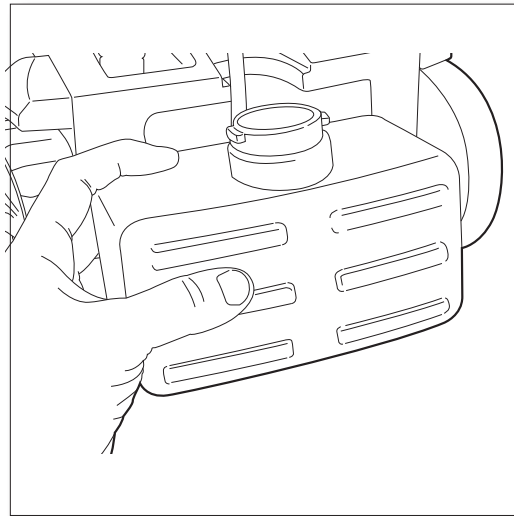
- Damage to surfaces being cleaned occurs because the impact force of the water pressure exceeds the durability of the surface. Bare wood can be penetrated; paint can be peeled off, etc. You can vary the force of your power washer by controlling:
  - a. the angle of the surface being cleaned
  - b. the distance of the nozzle from the surface being cleaned



- Never use a narrow high pressure stream of water or the turbo lance on soft surfaces susceptible to damage.
- Use the 25° angle quick connect nozzle when cleaning windows. Be sure to place the nozzle approximately four to five feet away from the window with the nozzle at forty five degree angle. Squeeze the trigger and vary the spray pattern and angle until optimum cleaning efficiency is achieved.

### **Detergent Injector/Storage**

- Use detergents designed for power washers. We offer four (4) power washer detergents, Auto, Motorcycle, Boat and Universal. These can be purchased online at our website **www.arblueclean.com**. Hardware stores or home centers also have power washer detergents for different cleaning projects. The cleaning solution should be the consistency of water in order to prevent clogging your detergent tank and nozzle.
- ***This system applies detergent under low pressure. The cleaning power of the detergents is enhanced when applied with low pressure; and time is allowed to break down the dirt and grime. The combination of low pressure and chemical action is very effective and can be better than scrubbing if applied properly. Always spray detergent on a dry surface, do not pre-soak area. Wetting the surface first dilutes the detergent and reduces its cleaning ability. Do not allow detergent to dry on surface. On vertical surfaces being cleaned, apply detergent to lower surfaces and work your way up to prevent detergent from causing streaks in the dirt and grime. Rinse detergent by pressure washing from bottom up for same reason.***
- If a stain is particularly tough, it may be necessary to reapply the detergent and use a bristled brush to scrub the stain. Subsequent power washing after brushing should successfully complete your cleaning job.



## STORAGE

- Remove lance from the gun and place in the accessory holder. Place the gun in the accessory holder on the side. Lances are placed into any of the slots in the back of the unit. Make sure to discard any remaining detergent from the tank. Flush the tank and nozzle head with fresh water to prevent clogging.
- When your pressure washing session has been completed, turn off the power switch located on the front of the power washer. Unplug the power cord from the outlet. Turn off the water supply. Pull the trigger on the spray gun 2-3 times to drain out the excess water and to release any remaining water pressure. Disconnect the garden hose adapter from the water inlet. Do not allow the power washer to run with no water flowing through it.
- Remove detergent tank and clean completely. Residual chemical will stick to the container and can cause the detergent injector to clog and not function properly.
- Remove high pressure hose from spray gun and unscrew the other end of the high pressure hose from the power washer.
- Wrap the power cord around the L-shaped tabs on the right side of the machine when facing it.
- The pressure hose is stored on the hose hook located on the back of the handle.
- **DO NOT store the power washer where it is exposed to freezing temperatures unless you use Pump Saver.** It is recommended that you use Pump Saver for storing in freezing temperatures. Freezing will damage the pump unless Pump Saver is added to the power washer. If not using or if storing your power washer for more than one month, run Pump Saver through it. See the section on Pump Saver for more information.

# PUMP SAVER

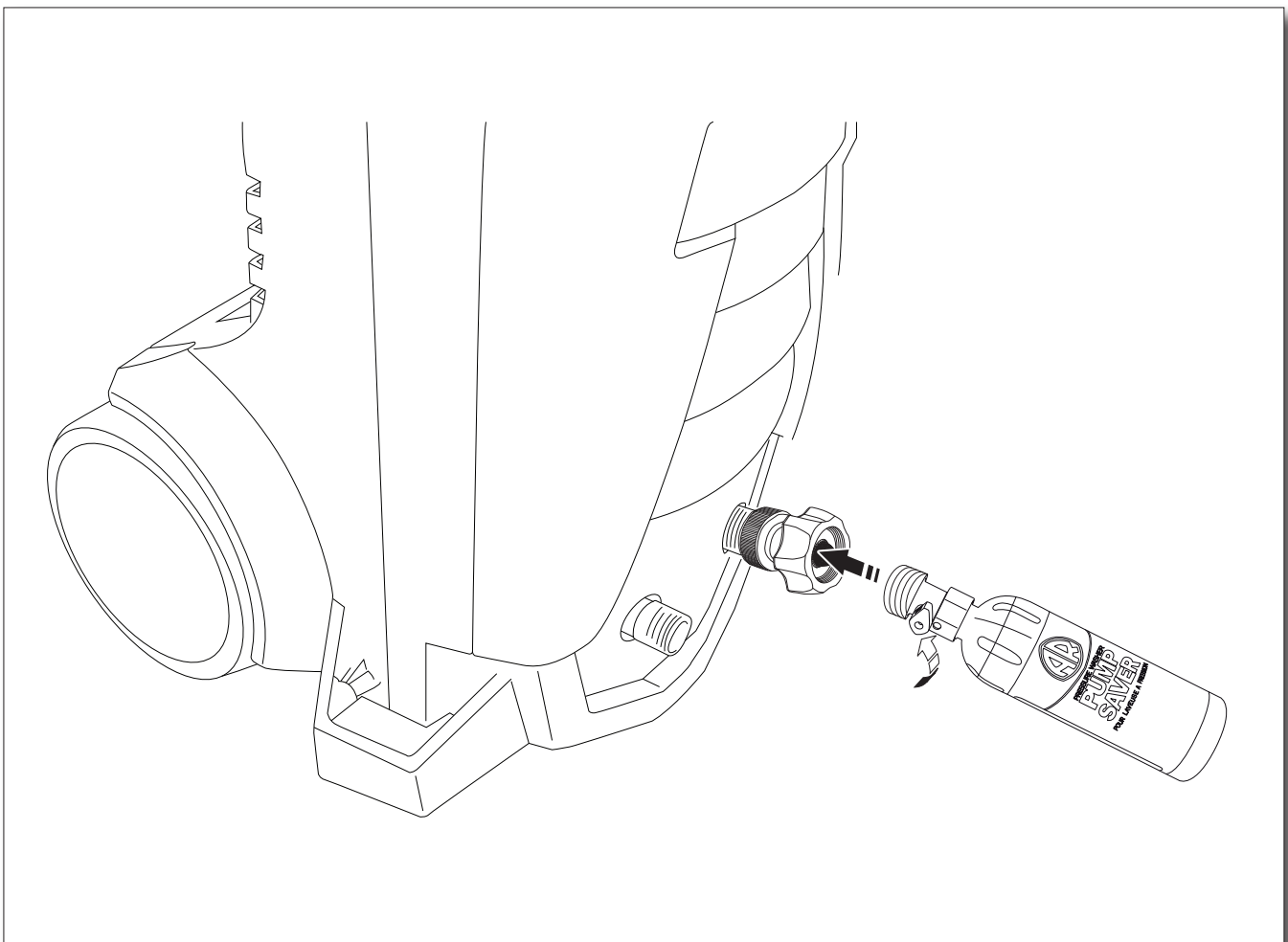
Pump Saver is a product that protects and prolongs the life of the pump. This will keep the internal parts of the pump lubricated and protected from freezing while being stored in ALL climates. It also assists with protection from internal corrosion. The Blue Clean part # is: PW64511 (16oz. bottle).

Order online at [www.arblueclean.com](http://www.arblueclean.com)

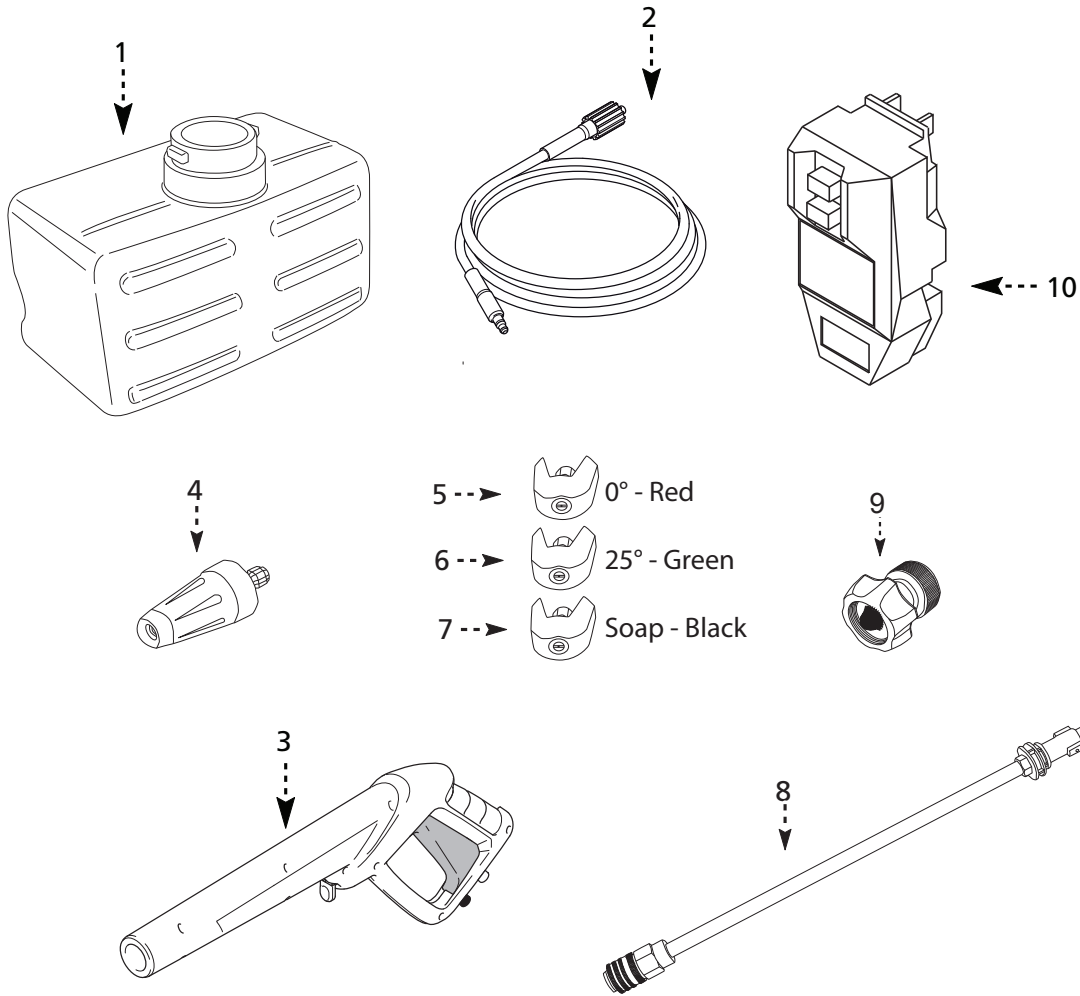
## Pump Saver Instructions

Follow the previous storage instructions for your power washer. To prevent staining, protect the surface under the power washer from any excess fluid. Wear eye protection when using this product.

1. Turn off your power washer.
2. Disconnect garden hose.
3. Shake the bottle well before connecting to the power washer.
4. Screw the garden hose adapter to the Pump Saver Bottle.
5. Click onto pump inlet (clear quick connect filter).
6. Turn the valve on the bottle to the open position.
7. Turn the power washer on. Turn the power washer off as soon as the Pump Saver fluid begins to exit the water outlet - nozzle.
8. Turn the valve on the bottle to the off position and remove the Pump Saver bottle valve assembly from the power washer.



# REPLACEMENT PARTS



Pos.	Description	Part Number	Qty.
1	Detergent Tank	PW4220020	1
2	Hose (QC)	PW4220660	1
3	Spray Gun	PW4100781	1
4	Rotary Nozzle	PW4220680	1
5	Quick Connect Nozzle 0° - Red	PW4220700	1
6	Quick Connect Nozzle 25° - Green	PW4220710	1
7	Quick Connect Nozzle Soap - Black	PW4220690	1
8	Lance	PW4220720	1
9	Garden Hose Adapter	PW3084210	1
10	GFCI Assembly	PW3084330	1

## Pump Spare Part Kits

Water Seals & Valves	PW4220640	1
Pre-Assembly TSS	PW4220650	1
O-Ring Kit	PW909104K	1

Order at: [www.arblueclean.com](http://www.arblueclean.com) / 1-866-235-512

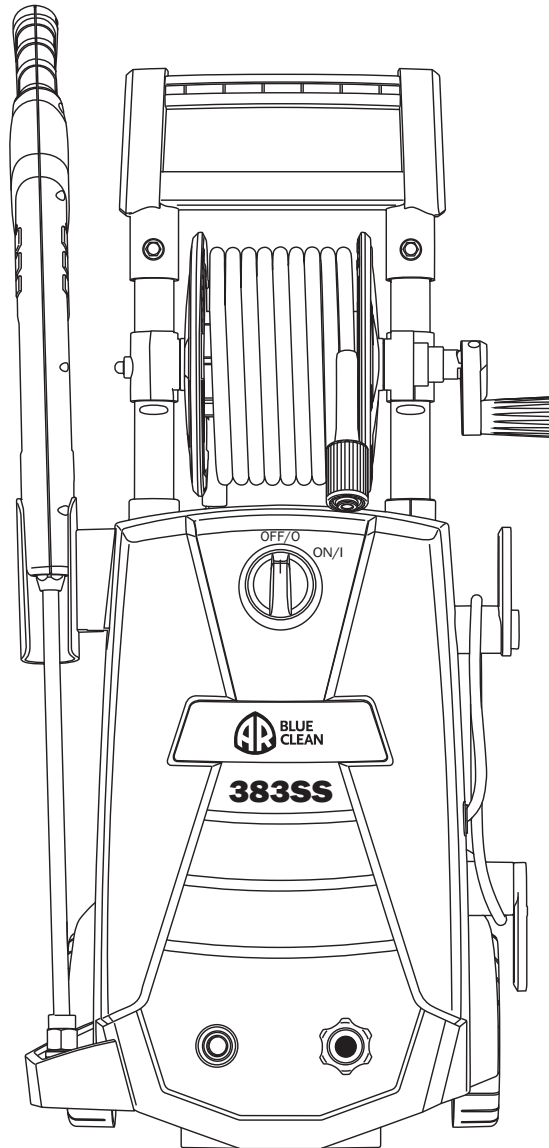
## TROUBLESHOOTING AND FAQs

<p><b>Unit will not turn on.</b></p>	<p>Make sure the power washer is in the “OFF” position. Plug in the electrical cord to a grounded 120 volt outlet (no electrical extension cord should be used). If the electrical cord will not plug into your outlet, your electrical outlet is not properly grounded and should not be used. Use another electrical outlet. Press the reset button on GFCI power box. If the color of red is not visible in the little window on the GFCI, unplug and plug in again. Press reset, and look for the red color in the window, this should remain red in color. If the color is staying red, turn the power switch on the power washer to “ON”. Squeeze the trigger on the spray gun and try again.</p> <p>If this did not correct the problem, try plugging into another electrical outlet and repeat the above procedure. If it is still not working, call Customer Service at 1-866-235-5112.</p>
<p><b>The high pressure (HP) hose will not connect / stay connected to the spray gun. Is this a spray gun problem?</b></p>	<p>In most cases, the spray gun is not the problem. The problem is the rubber sleeve covering the fitting at the end of the high pressure hose. It has likely slipped up toward the metal tip. The fix: wiggle, twist and/or pull the rubber sleeve down until the entire tip is visible plus an 1/8” of the metal fitting below the tip. Now try to insert the hose tip into the spray gun. It should “click” into place and will not come out until the hose is released by pushing in the lever on the underside of the gun.</p> <p>You may cut away the end of the sleeve with a sharp knife if unable to move the sleeve down. Be careful not to cut or puncture the hose.</p>
<p><b>The unit is running but there is not water flow.</b></p>	<p>Check the water source. Unclog the nozzle on the lance. (See nozzle cleaning instructions under “Cleaning nozzles”.) Or take off the lance and just spray out of the spray gun. This will indicate if the problem is with the lance.</p>
<p><b>Why is water leaking where the high pressure hose connects to the spray gun?</b></p>	<p>Make sure there is an o-ring at the end of the metal tip of the high pressure hose. If no o-ring is present, the connection between the hose and spray gun will leak. O-Ring Kits are available online at <a href="http://www.arblueclean.com">www.arblueclean.com</a> or call Customer Service at 1-866-235-5112 to place an order.</p>
<p><b>I can’t remove the lance from the spray gun. What should I do?</b></p>	<p>All lances and the detergent tank are attached and removed from the spray gun in the same manner. Insert the quick-release end of the lance/detergent tank into the spray gun. Press the spray gun and lance together (about a 1/8”) and turn clockwise. The lance will lock in place. Remove the lance by reversing this procedure. Press the spray gun and lance together and turn counter clockwise. The lance will slide out. Or, hold the spray gun and lance in an upright position with the nozzle end on the floor. Push the whole assembly straight down to loosen the connection, and then follow the removal process again. You may also spray soapy water or a lubricant in the area where the lance connects to the spray gun.</p>
<p><b>The power washer turns on for 2 seconds, shuts off, and will not turn back on. Do I have a defective unit?</b></p>	<p>It sounds like your power washer is working just fine. When the water is connected, the accessories are assembled properly, and the power switch is turned on, the power washer may turn on for 1 - 2 seconds to prime the pump. It automatically shuts off and waits for the spray gun trigger to be pressed. When the trigger is pressed, water starts flowing through the pump. The water sensor in the pump “senses” the moving water and automatically turns the power washer on. Or, turn the power switch to off, hold in the trigger on the spray gun, so that you have a steady stream of water. While you are holding the trigger open on the spray gun, at the same time, turn the power switch on.</p>



**BLUE<sup>®</sup>  
CLEAN**

**Model AR383SS**



Cleaning and troubleshooting tips, manuals and other helpful information are available on our website. For parts and accessories for your Blue Clean Washer, visit [www.arblueclean.com](http://www.arblueclean.com). Ordering is easy and all major credit cards are accepted.

**A.R. NORTH AMERICA, INC.**

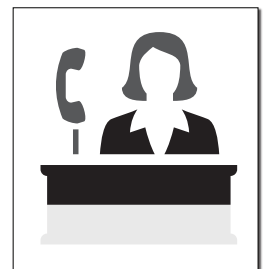
Attn: Power Washer Warranty Department  
140 - 81st. Avenue NE, Fridley, MN 55432

Phone: 1-866-235-5112

Fax: 1-866-331-2762

Email: [info@arblueclean.com](mailto:info@arblueclean.com)

Website: [www.arblueclean.com](http://www.arblueclean.com)



Customer Help Line  
1-866-235-5112

[www.arblueclean.com](http://www.arblueclean.com)