



Sno-Thro[®]

Operator's Manual
Manuel du Utilisateur

ARIENS
THE KING OF SNOW

Path-Pro[®]

Models

938031 – SS21

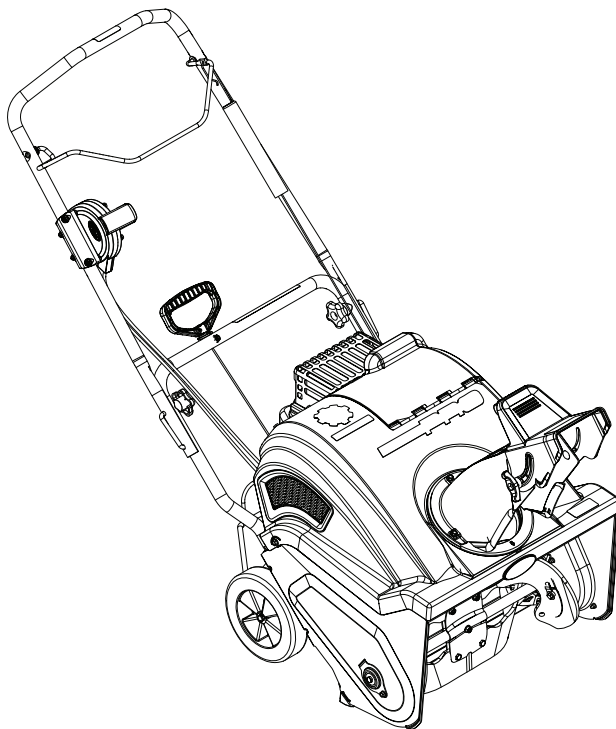
(SN 000101 +)

938032 – SS21E

(SN 000101 +)

938033 – SS21EC

(SN 000101 +)



EN ENGLISH

FR FRANÇAIS

04535800G • 2/19

Printed in USA

TABLE OF CONTENTS

WELCOME	1	For Best Performance	12
Register Your Product!	1	MAINTENANCE	12
SAFETY	2	Maintenance Schedule	12
Practices & Laws	2	Service Parts	13
Emission Control System	2	Add Fuel Stabilizer	13
Required Operator Training	2	Clean Unit	13
Safety Alert Symbol	2	Check Engine Oil	13
Signal Words	2	Change Engine Oil	13
Safety Decals	3	Check Fasteners	13
Safety Rules	4	Check Auger Paddle Wear	13
CONTROLS & FEATURES	8	Check Scraper Blade Wear	13
Engine Switch	9	Check Belt Wear	13
Choke Control Knob	9	SERVICE & ADJUSTMENTS	14
Fuel Valve	9	Replace Auger Paddles	14
Primer Bulb	9	Adjust Auger Cable	14
Recoil Starter Handle	9	Replace Belt	15
Electric Start Button	9	Adjust Scraper Blade	15
Discharge Chute Handle	9	Replace Scraper Blade	16
Remote Discharge Chute Handle Assembly	10	Adjust Remote Chute Rotation Cables ..	16
BEFORE OPERATING	10	STORAGE	17
Check Engine Oil	10	Short Term	17
OPERATION	10	Long Term	17
Emergency Stopping	10	Start-of-Season Fuel Preparation	17
Start Engine	10	ACCESSORIES	17
Position Discharge Chute	11	TROUBLESHOOTING	18
Operate Unit	11	SPECIFICATIONS	19
Stop Engine	12	WARRANTY	20
Transporting Unit	12		

WELCOME

Congratulations on your purchase and welcome to the Ariens family! Every machine in the Ariens lineup is designed for long-lasting and unsurpassed performance. We are confident your machine will be part of your family for many years to come.

Have Questions or Need Assistance?

www.ariens.com

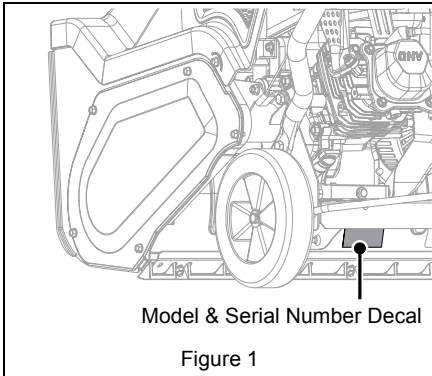
A parts manual for your unit is available for free download or purchase at www.ariens.com.

Manual del operador español está disponible para su descarga gratuita o compra en www.ariens.com.

REGISTER YOUR PRODUCT!

It is extremely important to register your product at time of purchase. Product registration activates the warranty and establishes a communication link from AriensCo.

Locate the model and serial number decal on your unit and register those numbers online at www.ariens.com. See Figure 1 for decal location. Be aware that the original selling dealer may have already completed product registration on behalf of the original purchaser.



Record model number here.

Record serial number here.

MANUALS

Before operating or servicing the unit, carefully and completely read the manuals provided with the unit. They contain safety instructions and important information about unit controls.

The engine on this unit is covered by a separate manual. Refer to the engine manual for engine service recommendations. Contact the engine manufacturer for a replacement manual if necessary.

Your dealer must review important information in this manual with you before or upon delivery of the unit. It is your responsibility to read and understand all safety precautions and instructions in the manuals. If you do not understand or have difficulty following the instructions, contact your Ariens dealer for assistance. To locate your nearest Ariens dealer, go to www.ariens.com.

DISCLAIMER

Ariens reserves the right to discontinue, make changes to, and add improvements upon its products at any time without public notice or obligation. The descriptions and specifications contained in this manual were in effect at printing. Equipment described in this manual may be optional. Some illustrations may not be applicable to your unit.

SAFETY

Read these safety rules and follow them closely. Failure to follow these rules could lead to loss of control of unit, severe personal injury or death to you or bystanders, or result in damage to property or the machine.

PRACTICES & LAWS

Practice usual and customary safe working precautions. Learn applicable rules and laws in your area. Always follow the practices set forth in this manual.

EMISSION CONTROL SYSTEM

This equipment and/or its engine may include exhaust and evaporative emissions control system components required to meet U.S. Environmental Protection Agency (EPA) and/or California Air Resources Board (CARB) regulations. Tampering with emission controls and components by unauthorized personnel may result in severe fines or penalties. Emission controls and components can only be adjusted by an Ariens dealer or an authorized engine manufacturer's service center. Contact your Ariens Equipment Retailer concerning emission controls and component questions.

REQUIRED OPERATOR TRAINING



Read and understand the Operator's Manual and decals on the unit. This information is for your safety and the proper use of your equipment. Failure to follow these

instructions and warnings may cause death or serious injury. If you have purchased this product from an Ariens dealer, the dealer can provide you with training.

Familiarize yourself and any other operators with all controls and the safe use of the features of this unit. If you loan, rent or sell this product to others, provide them with all manuals.

If you have any questions, please call our customer support line at 920-756-4688 or contact us at www.ariens.com. Do not use this equipment if, after reading the Operator's Manual and the on-board decals, you have any questions about the safe use of this product.



WARNING: AVOID INJURY. This snow thrower is capable of crushing or amputating body parts. Failure to observe the safety instructions in the manuals and on decals could result in serious injury or death.

ALWAYS disengage auger, stop unit and engine and allow moving parts to stop before leaving operator's position.

SAFETY ALERT SYMBOL



This is the safety alert symbol. It means:

- **ATTENTION!**
- **YOUR SAFETY IS INVOLVED!**

When you see this symbol:

- **BECOME ALERT!**
- **OBEY THE MESSAGE!**

SIGNAL WORDS

The safety alert symbol above and signal words below are used on decals and in this manual. Read and understand all safety messages.

1. Danger



DANGER: Indicates an **IMMINENTLY HAZARDOUS SITUATION!** If not avoided, **WILL RESULT** in death or serious injury.

2. Warning



WARNING: Indicates a **POTENTIALLY HAZARDOUS SITUATION!** If not avoided, **COULD RESULT** in death or serious injury.

3. Caution



CAUTION: Indicates a **POTENTIALLY HAZARDOUS SITUATION!** If not avoided, **MAY RESULT** in minor or moderate injury. It may also be used to alert against unsafe practices.

4. Notice

NOTICE: Indicates information or procedures that are considered important but not hazard related. If not followed, property damage could result.

5. Important

IMPORTANT: Indicates general reference information worthy of special attention.

SAFETY DECALS

The safety decals on your machine are visual reminders of the important safety information in this manual. All messages on your unit must be fully understood and carefully followed. Safety decals on the machine are explained below.

Always replace missing or damaged safety decals. Replacement decal information is in the parts manual for your machine. Decals can be ordered from your dealer.

See Figure 2 for safety decal locations.

Safety Decal Locations

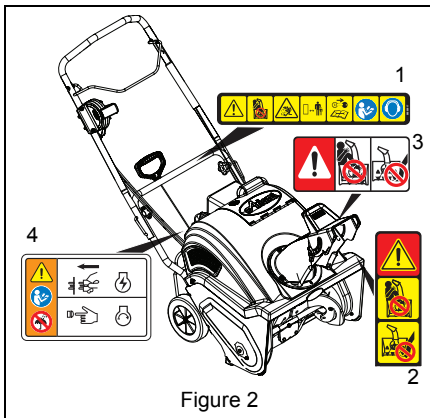



Figure 2

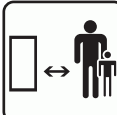
Safety Decal Descriptions


1. DANGER!


 Danger!


 Only use clean-out tool to clear blockages. NEVER use your hands.

 NEVER direct discharge towards persons or property that may be injured or damaged by thrown objects.


 Keep people away from unit while operating. Keep children out of work area and under watchful care of a responsible adult.

 Stop engine, remove key, and read manual before making any repairs or adjustments.

 Read operator's manual.


 Wear appropriate hearing protection.


2. DANGER!

 Danger!

ROTATING PARTS.
Keep clear of auger while engine is running.

- Read Operator's Manual.
- Allow operation only by properly trained adult, never children.
- Stop engine and remove ignition key prior to leaving the operator's position for any reason.
- Keep all controls, guards and safety devices properly serviced and functional.
- Never direct discharge towards persons or property that may be injured or damaged by thrown objects.





3. DANGER!



Danger!



ROTATING PARTS! ONLY use clean-out tool to clear blockages. **NEVER** use your hands. High speed auger/impeller rotates below discharge opening. Wait for all moving parts to stop before removing clogs or servicing.



4. DANGER!



Danger!



Read operator's manual.



Do not operate in rain.

SAFETY RULES

The following safety instructions are based on the B71.3 specifications of the American National Standards Institute in effect at the time of production.

Training

Read, understand and follow all instructions on the machine and in the manual(s) before operating this unit. Be thoroughly familiar with the controls and the proper use of the equipment. Know how to stop the unit and disengage the controls quickly.

Never allow children to operate the equipment. Never allow adults to operate the equipment without proper instruction, including actual operation.

Keep the area of operation clear of all persons, particularly small children. Keep children under watchful care of a responsible adult. Be alert and shut off unit if children enter area.

Exercise caution to avoid slipping or falling, especially when operating the snow thrower in reverse.

Always remove key and/or wire from spark plug before assembly, maintenance or service. Unintentional engine start up can cause death or serious injury.

Complete a walk-around inspection of the unit to understand the unit, your work area, and all safety decals.

Preparation

Always check overhead and side clearances carefully before operation.

Always be aware of traffic when operating along streets or curbs.

Thoroughly inspect the area where the equipment is to be used and remove all pets, doormats, sleds, boards, toys, wires, debris and other foreign objects.

Disengage the auger control lever before starting the engine (motor).

Handle fuel with care; it is highly flammable.

- Use an approved fuel container.
- Never add fuel to a running engine or hot engine.
- Fill fuel tank outdoors with extreme care. Never fill fuel tank indoors.
- Never fill containers inside a vehicle or on a truck or trailer bed with a plastic liner. Always place containers on the ground, away from your vehicle, before filling.
- When practical, remove gas-powered equipment from the truck or trailer and refuel it on the ground. If this is not possible, then refuel such equipment on a trailer with a portable container, rather than from a gasoline dispenser nozzle.
- Keep the nozzle in contact with the rim of the fuel tank or container opening at all times, until refueling is complete. Do not use a nozzle lock-open device.
- Replace gasoline cap securely and wipe up spilled fuel.
- If fuel is spilled on clothing, change clothing immediately.

Never attempt to make any adjustments while the engine (motor) is running (except when specifically recommended by manufacturer).
Always allow unit and engine to adjust to outdoor temperature before clearing snow.

Operation
Never leave a running unit unattended. Always shut off engine before leaving unit.
Do not put hands or feet near or under rotating parts. Keep clear of the discharge opening at all times.
Moving and/or rotating parts can cut off body parts such as fingers or a hand. Always keep hands, feet and clothing away from all rotating parts during operation.
Always keep hands away from all pinch points.
Do not touch unit parts which might be hot from operation. Allow parts to cool before attempting to maintain, adjust or service.
Check for weak spots on docks, ramps or floors. Avoid uneven work areas and rough terrain. Stay alert for hidden hazards.
Exercise extreme caution when operating on or crossing gravel drives, walks or roads. Stay alert for hidden hazards or traffic.
After striking a foreign object, stop the engine (motor), remove the wire from the spark plug, thoroughly inspect the snow thrower for any damage, and repair the damage before restarting and operating the snow thrower.
If the unit should start to vibrate abnormally, stop the engine (motor) and check immediately for the cause.
Stop the engine (motor) whenever you leave the operating position, before unclogging the auger/impeller housing or discharge chute, and when making any repairs, adjustments or inspections.
When cleaning, repairing or inspecting the snow thrower, make certain the auger/impeller and all moving parts have stopped. Disconnect the spark plug wire and keep the wire away from the plug to prevent someone from accidentally starting the machine.
Do not run the engine (motor) indoors. Open the outside doors; exhaust fumes are dangerous.

Never operate the snow thrower without proper guards and other safety protective devices in place.
Thrown objects can cause injury. Never direct the discharge toward people or areas where property damage can occur from thrown objects. Keep children and others away.
Do not overload the machine capacity by attempting to clear snow at too fast a rate. Slow down and turn corners slowly.
Never operate the machine at high transport speeds on slippery surfaces. Look behind and use care when backing.
Do not operate in reverse unless absolutely necessary. Always back up slowly and look down and behind before and while backing.
Do not carry passengers.
Disengage attachment drive when traveling from one work area to another.
Disengage power to the auger/impeller when snow thrower is transported or not in use.
Use only attachments and accessories approved by the manufacturer of the snow thrower (such as wheel weights, counterweights or cabs).
This product is equipped with an internal combustion type engine. Do not use unit on or near any unimproved, forest-covered or brush-covered land unless exhaust system is equipped with a spark arrester meeting applicable local, state or federal laws. A spark arrester, if it is used, must be maintained in effective working order by operator.
Never operate the snow thrower without good visibility or light. Falling snow, fog, etc. can reduce vision and cause an accident.
Never operate unit after or during the use of medication, drugs or alcohol. Safe operation requires complete and unimpaired attention at all times.
Never allow anyone to operate this unit when their alertness or coordination is impaired.
Do not throw snow any higher than necessary.

Clearing a Clogged Discharge Chute

Hand contact with the rotating auger/impeller inside the discharge chute is the most common cause of injury associated with snow throwers. Never use your hand to clean out the discharge chute.

To clear the chute:

1. SHUT THE ENGINE OFF!
2. Wait 10 seconds to be sure the auger/impeller blades have stopped rotating.
3. Always use a clean-out tool, not your hands.

Maintenance and Storage

Secure unit so it will not tip over during maintenance.

Before cleaning, removing clogs or making any inspections, repairs, etc., disengage auger control lever, stop unit and engine, allow moving parts to stop and hot parts to cool.

Make sure the equipment is in safe working condition. Check hardware at frequent intervals for proper tightness. If components are worn or damaged, replace with manufacturer's recommended parts.

Do not change engine governor settings or over-speed engine.

Adjust and service as required. All motion of auger/impeller must stop quickly when auger control lever is released.

Always maintain unit in safe operating condition. Damaged or worn out muffler can cause fire or explosion.

Keep unit free of ice or other debris. Clean up oil or fuel spills.

Always keep protective structures, guards, and panels in good repair, in place and securely fastened. Never modify or remove safety devices.

Never store the machine with fuel in the fuel tank inside a building where ignition sources are present such as hot water heaters, space heaters or clothes dryers. Allow the engine to cool before storing in any enclosure or covering the unit.

Always refer to operator's manual for important details if the snow thrower is to be stored for an extended period.

Maintain or replace safety and instruction labels as necessary.

Run the machine a few minutes after throwing snow to prevent freeze-up of the auger/impeller.

Personal Protection

Do not operate the equipment without wearing adequate winter garments. Avoid loose fitting clothing that can get caught in moving parts. Wear footwear that will improve footing on slippery surfaces.

Wear adequate safety gear, including safety glasses with side shields, and protective gloves.

Do not wear loose clothing or jewelry, and tie back hair that may get caught in rotating parts.

Protect eyes, face and head from objects that may be thrown from unit. Wear appropriate hearing protection.

Slope Operation

Operate the snow thrower on level surfaces. Stay off slopes and slippery surfaces.

Do not clear snow across the face of slopes; go up and down. Exercise extreme caution when operating on slopes. Do not attempt to clear steep slopes.

Use a slow speed to avoid stops or shifts on slopes. Avoid starting or stopping on a slope. Do not park unit on a slope unless absolutely necessary. When parking on a slope always block the wheels.

Do not operate near drop-offs, ditches, or embankments. Unit can suddenly turn over if a wheel is over the edge of a cliff or ditch, or if an edge caves in.

Fuel

Do not run engine in an enclosed area. Always provide good ventilation. Fumes from engine exhaust can cause injury or death.

Fuel is highly flammable and its vapors are explosive. Handle with care. Use only an approved gasoline container with an appropriately sized dispensing spout.

No smoking, sparks or flames. Always allow engine to cool before servicing.

Never fill fuel tank when engine is running or hot from operation.

Never fill or drain fuel tank indoors.

Replace fuel cap securely and clean up spilled fuel.

Properly remove fuel before tipping unit up onto housing, so no spills will occur.

Towing/Transporting

Always shut off engine and close fuel shut-off valve or drain fuel when transporting unit on a truck or trailer.

Use extra care when loading or unloading unit onto trailer or truck. Secure unit chassis to transport vehicle. Never secure from rods or linkages that could be damaged. Do not transport machine while engine is running.

Accessories

Use only Ariens Company-approved attachments that are appropriate to your use and can be used safely in your application.

CONTROLS & FEATURES

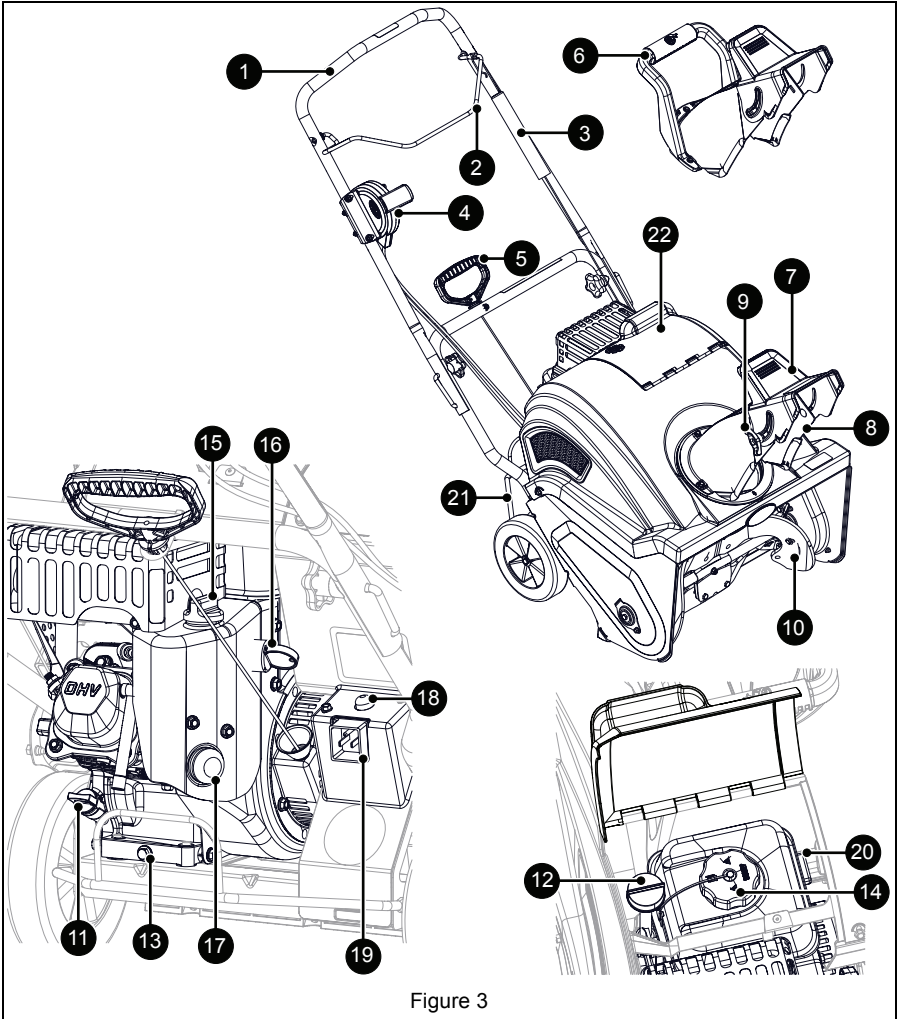


Figure 3

- | | |
|--|---|
| 1. Handlebar | 12. Oil Fill |
| 2. Auger Control Bar | 13. Oil Drain Plug |
| 3. Auger Control Cable Assembly | 14. Fuel Cap & Tank |
| 4. Remote Discharge Chute Handle Assembly (Model 938033) | 15. Choke Control Knob |
| 5. Recoil Starter Handle | 16. Engine Switch |
| 6. Discharge Chute Handle (Models 938031, 938032) | 17. Primer Bulb |
| 7. Discharge Chute Deflector Handle | 18. Electric Start Button (Models 938032, 938033) |
| 8. Discharge Chute | 19. Power Cord Receptacle (Models 938032, 938033) |
| 9. Wing Knob | 20. Fuel Valve |
| 10. Auger Paddle | 21. Engine Guard |
| 11. Oil Fill | 22. Fuel & Oil Door |



WARNING: AVOID INJURY. Read and understand the *Safety* section before proceeding.

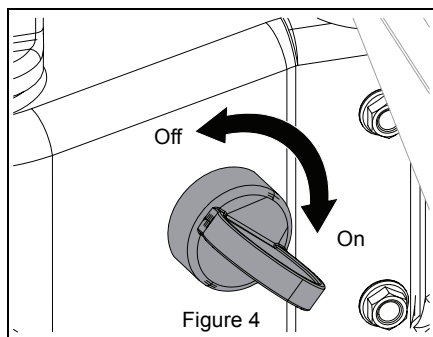
See Figure 3 for all controls and features locations.

ENGINE SWITCH

See Figure 4.

The engine switch has two positions:

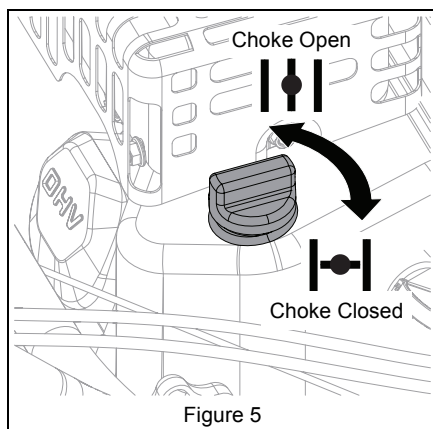
- Off – Engine will not start or run.
- On – Engine will start and run.



CHOKE CONTROL KNOB

See Figure 5.

- Start – (Choke Closed): Chokes off air to engine for easier starting.
- Run – (Choke Open): Allows for normal operation.



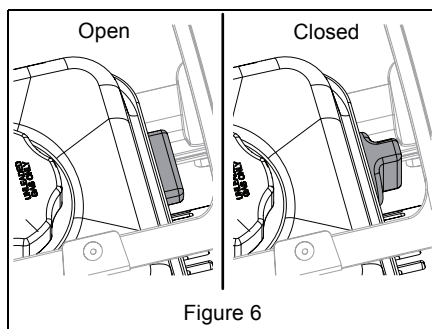
FUEL VALVE

See Figure 6.

Controls fuel flow to the engine. The fuel valve has two positions:

- Closed – Use this position to service, transport or store the unit.
- Open – Use this position to run the unit.

NOTICE: The valve is closed when it is narrow and vertical when viewed from above.



PRIMER BULB

Adds fuel to engine for easier start on cold engines. See *Start Engine* on page 10.

RECOIL STARTER HANDLE

When pulled, handle will start engine. See *Start Engine* on page 10.

ELECTRIC START BUTTON

Models 938032, 938033

When pushed, button will start a properly choked and cranked engine. See *Start Engine* on page 10.

DISCHARGE CHUTE HANDLE

Models 938031, 938032

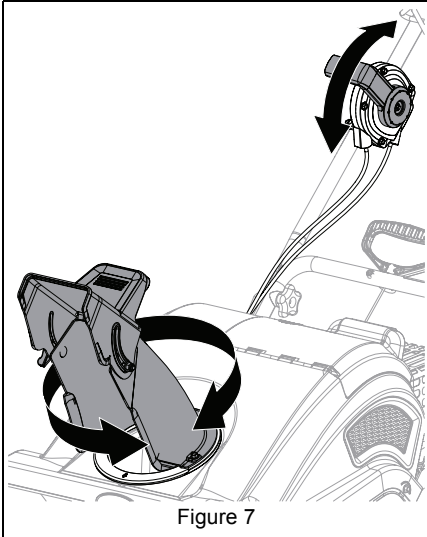
Turn discharge chute handle to control direction of snow discharge. See *Position Discharge Chute* on page 11.

REMOTE DISCHARGE CHUTE HANDLE ASSEMBLY

Model 938033

See Figure 7.

Move remote discharge chute handle forward or backward to control direction of snow discharge.



BEFORE OPERATING



WARNING: AVOID INJURY. Read and understand the *Safety* section before proceeding.

IMPORTANT: Register your product! See *Register Your Product!* on page 1.

IMPORTANT: All references to left, right, front or rear are given from the perspective of operator in operator's position, facing the direction of forward travel.

1. Know how to stop in an emergency. See *Emergency Stopping* on page 10.
2. Check for frozen components.
3. Check fuel level and add fuel if needed.

IMPORTANT: Use fresh unleaded fuel with an octane rating of at least 87. DO NOT use E85 blended fuels; the engine is not E20 / E30 / E85 compatible. The maximum recommended ethanol content is 10%. Ariens recommends using a quality fuel stabilizer in all fuel. See *Short Term* on page 17.

4. Check engine oil level and add oil if needed. Refer to engine manual.
5. Check function of all controls.

CHECK ENGINE OIL

1. Stop engine, remove key and close fuel valve.
2. Open fuel and oil door and remove cap from oil fill.
3. Check engine oil level and add oil if needed. Refer to engine manual.
4. Replace cap and close door.
5. Clean up any spilled oil.

OPERATION



WARNING: AVOID INJURY. Read and understand the *Safety* section before proceeding.

EMERGENCY STOPPING

1. Release auger control bar.
2. Turn engine switch to OFF position.
3. Wait for all moving parts to stop before leaving operator's position.

START ENGINE

1. Position discharge chute in a safe direction. See *Position Discharge Chute* on page 11.
2. Move engine switch to ON position.
3. *Electric Start Models Only:* Connect a power cord to power cord receptacle and then plug cord into a wall outlet.



CAUTION: Use cord that is minimum of 13 amp, 16 Gauge, 3 wire grounded plug, UL listed, CSA Certified. Cord must be labeled suitable for outdoor use.

4. Open fuel valve.
5. If engine is cold, turn choke to CLOSED position.

IMPORTANT: Do not apply choke to a warm engine.

6. Push primer bulb twice.

IMPORTANT: Do not push primer bulb to start a warm engine.

7. *Electric Start Models Only:* Press electric start button. If engine does not start after three attempts, see *Troubleshooting* on page 18.

8. *Electric Start Models Only:* When engine starts, disconnect power cord from wall outlet, then disconnect cord from power cord receptacle.
9. *Recoil Start:* Pull recoil starter handle.
 - a. Grasp handle and pull rope out slowly until it pulls harder.
 - b. Pull handle firmly and quickly with a rapid, continuous full-arm stroke. Repeat until engine starts. If engine does not start, see *Troubleshooting* on page 18.
 - c. Let handle rewind slowly after engine starts. DO NOT let handle snap back against handlebar.
10. Gradually open choke after engine starts.

POSITION DISCHARGE CHUTE

See Figure 8.

IMPORTANT: Always throw snow in a safe direction, away from people and windows.

IMPORTANT: If chute becomes frozen and does not turn correctly, take unit into warm area until controls are unfrozen.

Model 938033:

1. Move remote discharge chute handle forward or backward to choose the direction to throw snow.
2. Loosen wing knob and move discharge chute deflector handle up or down to control snow throw height.
3. Tighten wing knob.

Models 938031, 938032:

1. Turn discharge chute handle in the direction you want to throw snow.
2. Loosen wing knob and move discharge chute deflector handle up or down to control snow throw height.
3. Tighten wing knob.

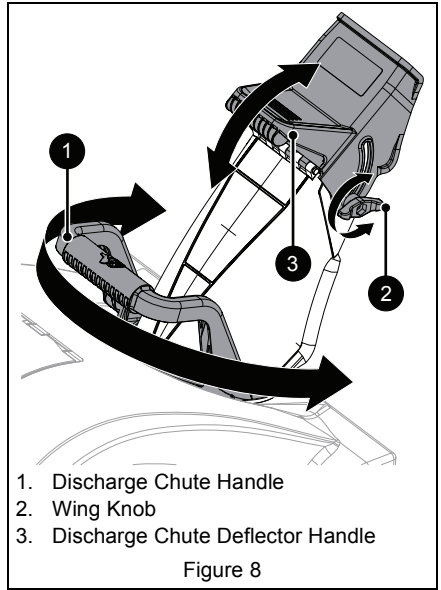


Figure 8

OPERATE UNIT

1. Rotate discharge chute and move deflector to desired positions.

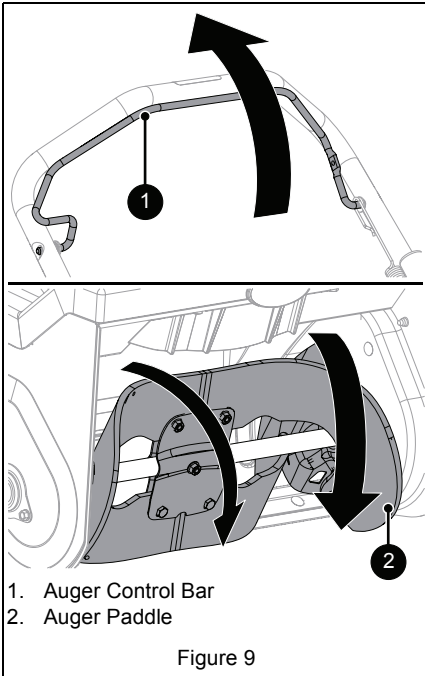
NOTICE: On some surfaces, auger paddle rotation may leave residual paddle material. This usually washes off after rain showers. Scraper bar may be adjusted to minimize this condition. See *Adjust Scraper Blade* on page 15.

2. Pull auger control bar back to handlebar to start auger; release bar to stop auger. See Figure 9.

MAINTENANCE



WARNING: AVOID INJURY. Read and understand the *Safety* section before proceeding.



1. Auger Control Bar
2. Auger Paddle

Figure 9

STOP ENGINE

1. Release auger control bar.
2. Turn engine switch to OFF position.
3. Close fuel valve.

TRANSPORTING UNIT

1. Stop engine, remove key and close fuel valve.

NOTICE: Use extra care when loading or unloading onto truck or trailer. DO NOT lift using discharge chute handle.

2. Secure unit chassis to transport vehicle. Never secure from rods or linkages that could be damaged.

FOR BEST PERFORMANCE

- For complete snow removal, walk slowly and slightly overlap each path previously taken.
- Position discharge chute downwind when possible.
- Do not pick up gravel and rocks. Push down slightly on handlebar to avoid picking up debris.
- Inspect auger before each use and remove any accumulation / debris.
- Check oil level before each use.
- Clean unit after each use.

Proper maintenance can prolong the life of unit. The *Maintenance Schedule* on Page 12 shows the recommended service schedule.

Your Ariens dealer can provide service and adjustments to keep your unit operating at peak efficiency. Contact an authorized engine manufacturer's service center for engine service.

More frequent service may be required due to working conditions (heavy loads, high ambient temperatures, dusty conditions, or airborne debris).

See the maintenance instructions in the Engine Manual for additional information.

MAINTENANCE SCHEDULE

Service Performed	Each Use	Every 10 hrs.	Annually	As Needed
Add Fuel Stabilizer *				
Clean Unit	•			
Check Engine Oil **	•			
Check Fasteners	•			
Check Auger Paddle Wear		•		
Check Scraper Blade Wear		•		
Check Belt Wear		•		
Replace Scraper Blade				•
Change Engine Oil **			•	•
Replace Spark Plug **				•
Replace Auger Paddles				•

* See *Add Fuel Stabilizer* on page 13.

** Refer to engine manual for instructions.

SERVICE PARTS

See your Ariens dealer to purchase service parts for your unit.

Description	Part No.
Ariens Hi-Temp Grease	
• 97 ml (3 oz) cartridges (3)	00036800
• 414 ml (14 oz) cartridge (1)	00036700
Fuel Stabilizer – 118 ml (4 oz)	
• Except Canada	04730400
• For Canada Only	04742500
Ariens 5W-30 Engine Oil	
• 473 ml (16 oz)	00091000
• 946 ml (32 oz)	00067600
Auger Cable	06900533
Auger Belt	07200627
Auger Paddle Replacement Kit	53802900
Scraper Blade Replacement Kit	53803100
Electric Start Back Panel Kit (Models 938032, 938033)	53803700
Latch Replacement Kit	53803900

ADD FUEL STABILIZER

Add fuel stabilizer to gasoline at time of purchase to help ensure the best performance over the life of that fuel. See *Short Term* on page 17 for instructions.

CLEAN UNIT

1. Remove snow and debris with a soft-bristled brush. DO NOT use harsh abrasives or cleaners.
2. Protect painted surfaces with automotive-type wax.

CHECK ENGINE OIL

See *Check Engine Oil* on page 10.

CHANGE ENGINE OIL

Refer to engine manual.

CHECK FASTENERS

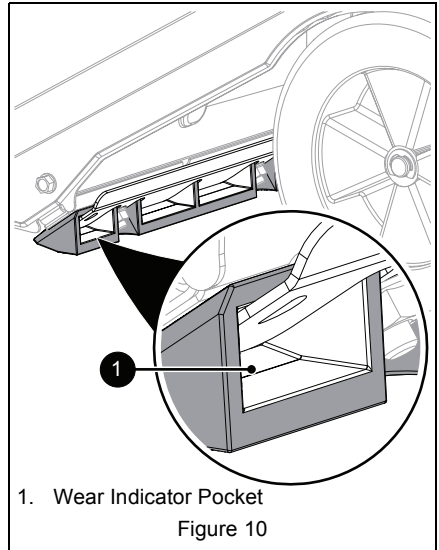
Check for loose hardware.

CHECK AUGER PADDLE WEAR

Replace when auger paddles have worn through wear indicator holes. See *Replace Auger Paddles* on page 14.

CHECK SCRAPER BLADE WEAR

Replace when damaged or when scraper blade has been adjusted down as far as possible and does not touch surface or clear properly. Scraper blade **MUST** be replaced when worn through to wear indicator pockets. See Figure 10.



1. Wear Indicator Pocket

Figure 10

NOTICE: DO NOT allow scraper blade to wear down too far or auger housing will become damaged. See *Replace Scraper Blade* on page 16.

CHECK BELT WEAR

Adjust auger cable as needed. Replace when damaged or when auger stops or stutters during operation. See *Adjust Auger Cable* on page 14 and *Replace Belt* on Page 15.

SERVICE & ADJUSTMENTS

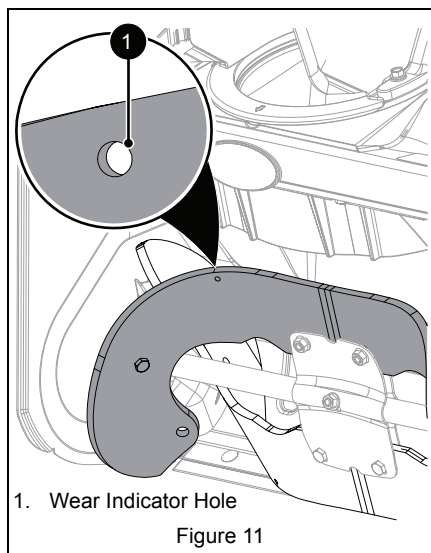


WARNING: AVOID INJURY. Read and understand the *Safety* section before proceeding.

REPLACE AUGER PADDLES

Replace auger paddles when paddles have worn completely through wear indicator holes. See Figure 11.

IMPORTANT: Always replace auger paddles in pairs. Do not replace one paddle only.



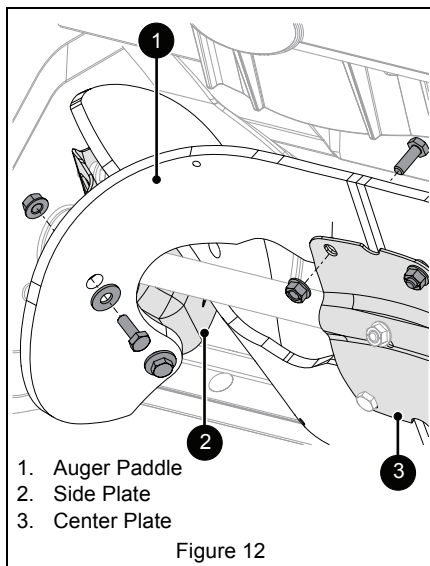
1. Stop engine, remove key and close fuel valve. Allow unit to cool.

See Figure 12.

2. Tip unit back onto engine guard. **DO NOT** tip further than engine guard allows or oil may leak out of engine.

3. Remove six hex bolts, washers and top locking flange nuts securing each paddle to center plate and side plates. Discard all parts.

IMPORTANT: Do not remove center plate.



4. Position new paddles with wear indicator holes on the left side as you face the unit.
5. Install spacers into paddle holes and secure paddle with new hex bolts and nuts.
6. Tighten nuts to 5.6 N•m – 10.2 N•m (50 lb-in – 90 lb-in). **DO NOT** overtighten.
7. When both paddles are installed, rotate auger paddles by hand. Ensure that paddles do not rub on housing and are tightly attached.
8. Return unit to operating position.
9. Remove slack from auger cable. See *Adjust Auger Cable* on page 14.

ADJUST AUGER CABLE

See Figure 13.

1. Stop engine, remove key and close fuel valve.
2. Slide plastic sleeve up to auger control bar.
3. Insert Z-hook into appropriate hole in adjustment bracket. When auger control bar is disengaged, there should be minor slack in cable and no tension.
4. Engage auger control bar to ensure proper operation. There should be no excessive tension on cable.
5. Lower plastic sleeve.

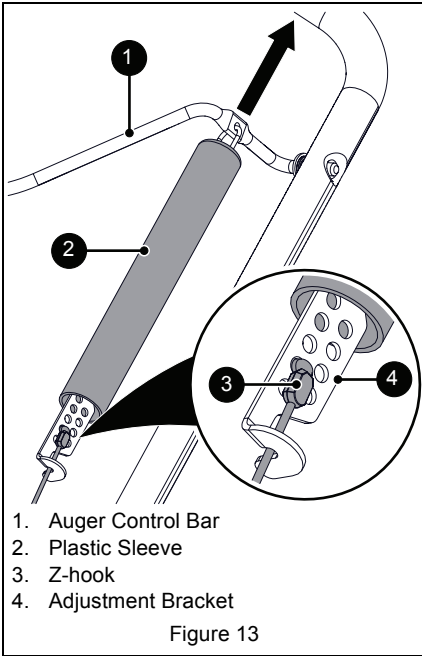


Figure 13

REPLACE BELT

1. Stop engine, remove key and close fuel valve. Allow unit to cool.
2. Remove five tapping screws from belt cover and remove belt cover. Retain all parts. See Figure 14.

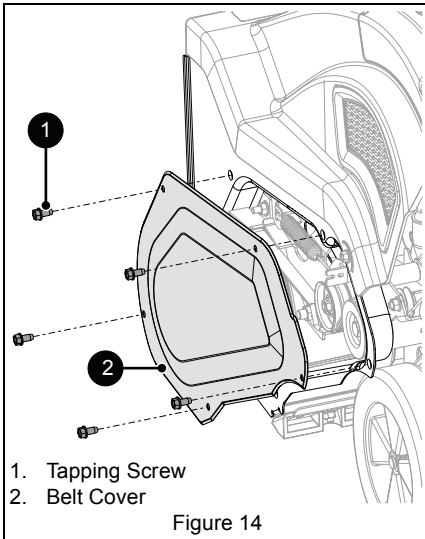


Figure 14

See Figure 15.



CAUTION: Use care when releasing idler spring tension. Keep body parts away from idlers when performing this operation.

3. Disconnect extension spring from idler arm.
4. Remove belt from drive pulley, idler and engine sheave.

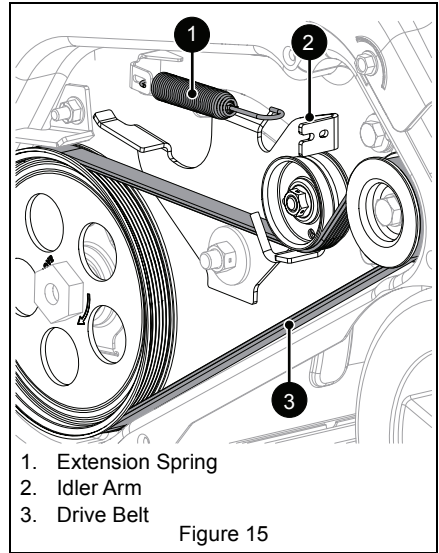


Figure 15

5. Install new belt on engine sheave, idler and drive pulley. Route belt between idler and belt finger on idler arm.
6. Reinstall extension spring.
7. Reinstall belt cover.

ADJUST SCRAPER BLADE

IMPORTANT: The auger housing may be damaged if blade wears down too much.

See Figure 16.

1. Tip unit back onto engine guard and loosen hardware securing scraper blade to scraper support.
2. Reposition scraper blade.
 - Move scraper blade down to compensate for scraper blade wear and increase auger clearance.
 - Move scraper blade up to decrease auger clearance.
3. Tighten hardware and return unit to operating position.

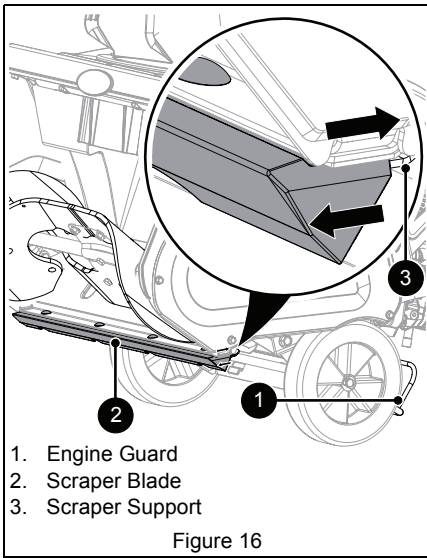


Figure 16

REPLACE SCRAPER BLADE

1. Stop engine, remove key and close fuel valve. Allow unit to cool.
 2. Tip unit back onto engine guard.
- See Figure 17.
3. Remove nuts, bolts, scraper support and scraper blade. Retain hardware. Discard scraper blade.
 4. Check condition of scraper support. Replace if worn or damaged.

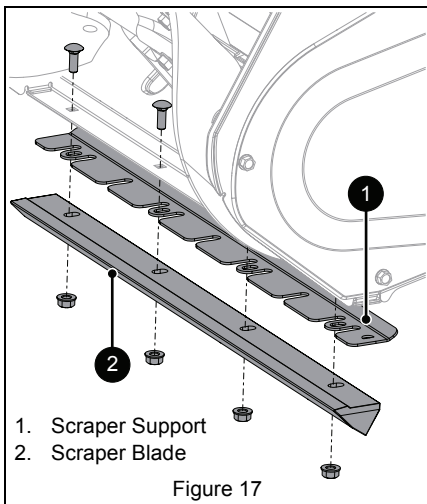


Figure 17

See Figure 18.

5. Insert scraper support into new scraper blade. The D-shaped cutout must be on the left (drive belt side).
6. Position scraper assembly under housing.
 - D-shaped cutout must be on the left.
 - Edge must point down and forward.
 - Scraper assembly bolt holes must align with square bolt holes in auger housing.

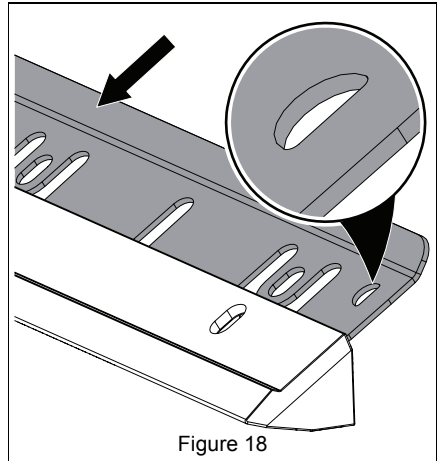


Figure 18

7. Move scraper assembly backward and up until small lip on top of scraper blade contacts bottom lip of housing.
8. Install bolts and nuts. Tighten nuts to $4.5 \text{ N}\cdot\text{m} - 5.7 \text{ N}\cdot\text{m}$ (40 lb-in – 50 lb-in). Threads must protrude beyond the nut.
9. Return unit to operating position.

IMPORTANT: If auger paddles are pulling too strongly or scraper blade is not clearing completely, loosen nuts (do not remove) and slide scraper assembly down slightly. Tighten nuts.

ADJUST REMOTE CHUTE ROTATION CABLES

Model 938033

1. Stop engine, remove key and close fuel valve. Allow unit to cool.
- See Figure 19.
2. Open fuel and oil door to access chute rotation cable adjustment screws.
 3. Loosen cable clamp screws.

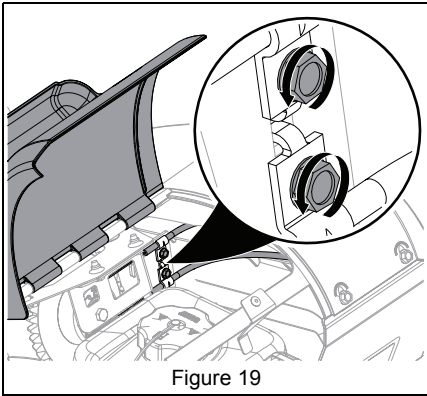


Figure 19

4. Pull cable covers to the right to remove slack.
5. Tighten screws and close fuel and oil door.

NOTICE: Remote chute rotation cables may also be accessed from under unit by tipping unit forward.

STORAGE



WARNING: AVOID INJURY. Read and understand the *Safety* section before proceeding.

SHORT TERM

1. Engage auger momentarily to remove loose or melting snow to prevent auger shaft from freezing.
2. Tighten all hardware to correct specifications.
3. Inspect unit for visible signs of wear or damage. Repair as needed.
4. Apply a light layer of oil or anti-rust compound on bare metal areas.
5. Prepare fuel system for storage.

NOTICE: Ariens recommends using a quality fuel stabilizer in all fuel. Gasoline left in the fuel system without a stabilizer, even for short periods of time, deteriorates and leaves gummy deposits in the system that may damage the carburetor and fuel hoses, filter and tank. For the best effectiveness, add stabilizer to all fuel containers whenever purchasing fuel. Add the stabilizer to the container before adding fuel.

- a. Add Ariens fuel stabilizer (see *Service Parts* on page 13) or equivalent according to manufacturer's instructions to the fuel tank and any fuel containers with remaining fuel.
 - b. Run engine outdoors for at least 5 minutes to allow stabilizer to reach the carburetor.
6. Close fuel valve and allow engine to stop on its own.
 7. Set engine switch to off position and remove key.
 8. Store unit in a cool, dry, protected area. Do not store unit outdoors.

LONG TERM

1. Perform all short-term storage items.
2. Wash salt and other corrosive ice-melting agent residue from unit with mild soap and low-pressure water.

IMPORTANT: Never spray unit with high-pressure water.

3. Touch up all scratched painted surfaces.
4. Store unit in a cool, dry, protected area. Do not store unit outdoors.

START-OF-SEASON FUEL PREPARATION

1. Before opening the fuel valve for the first time after long-term storage, add fresh, stabilizer-treated fuel to the fuel tank and any fuel containers with remaining fuel.

ACCESSORIES

See your Ariens dealer for a complete list of compatible accessories and attachments for your unit.

Description	Part No.
Sno-Thro Cover Kit	73801100
Protective Floor Mat	70707600
High Wear Paddles Kit	73801200
Remote Chute Rotation Kit (Models 938031, 938032)	73800800
Maintenance Kit*	73801000

*Includes 16 oz. 5W-30 engine oil, spark plug, fuel stabilizer and non-stick spray (Snow-Jet).

TROUBLESHOOTING

Problem	Probable Cause	Correction
Engine will not start.	Engine switch in OFF position.	Move switch to ON position. See <i>Engine Switch</i> on page 9.
	Fuel valve is closed.	Open fuel valve. See <i>Fuel Valve</i> on page 9.
	Fuel tank empty.	Fill fuel tank with fuel. See <i>Before Operating</i> on page 10.
	Cord not plugged in (electric start models only).	Plug power cord in or replace worn cord. Reset circuit breaker.
	Engine not primed.	Press the primer bulb twice and start engine.
	Spark plug disconnected.	Connect spark plug.
	Choke open / cold engine.	Turn choke to CLOSED position, then press primer button and start engine. See <i>Choke Control Knob</i> on page 9.
	Excessive fuel in engine cylinder (flooded).	Turn choke control knob to off position and reattempt starting. See <i>Start Engine</i> on page 10.
	Faulty spark plug.	Replace spark plug.
	Faulty engine.	See your Ariens Dealer.
Engine starts hard or runs poorly.	Fuel mixture too rich.	Turn choke to OPEN position. See <i>Choke Control Knob</i> on page 9.
	Faulty, fouled or incorrectly gapped spark plug.	Clean and properly set spark plug gap or see your Ariens Dealer.
	Fuel cap vent is blocked.	Install new fuel cap.
Excessive vibration.	Loose parts or damaged auger paddles.	Stop engine immediately. Replace auger paddles. See <i>Maintenance Schedule</i> on page 12 or see your Ariens Dealer.
Excessive snow left behind.	Scraper blade is worn.	Replace when damaged or when scraper blade has been adjusted down as far as possible and does not touch ground or clear properly. See <i>Replace Scraper Blade</i> on page 16 or see your Ariens Dealer.
Snow does not discharge.	Auger drive belt is loose or damaged.	Replace belt or adjust auger control cable. See <i>Replace Belt</i> on page 15 and <i>Adjust Auger Cable on Page 14</i> . See your Ariens Dealer.
	Discharge chute is clogged with snow.	Stop engine immediately. Clean discharge chute and auger housing. DO NOT use your hands.
	Auger paddles are worn or damaged.	Replace auger paddles. See <i>Maintenance Schedule</i> on page 12 or see your Ariens Dealer.
Remote discharge chute handle has excessive play. (Model 938033)	Remote chute rotation cables are loose.	Adjust remote chute rotation cables. See <i>Adjust Remote Chute Rotation Cables</i> on page 16 or see your Ariens Dealer.

SPECIFICATIONS

Model Number	938031	938032	938033
Model	SS21	SS21E	SS21EC
Starter	Recoil	Electric / Recoil	Electric / Recoil
Engine			
Engine	Ariens		
Engine Model	AX208		
Engine Size – cm ³ (in ³)	208 (12.7)		
Maximum RPM – No load.	3600 ± 100		
Oil Capacity: L (Pt.)	0.47 (1.0)		
Fuel Tank Capacity: L (Qt.)	1.27 (1.34)		
Fuel Octane Rating	See Engine Manual		
Size and Weight			
Length: cm (in.)	137.9 (54.3)		
Width: cm (in.)	54.9 (21.6)		
Height: cm (in.)	103.9 (40.9)		
Weight: kg (lbs.)	41.3 (91)	43.1 (95)	44.0 (97)



ARIENS®

Outdoor Power Equipment Limited Warranty

AriensCo warrants to the **original purchaser** that Ariens brand products purchased on or after 3/16/2018 will be free from defects in material and workmanship for the time period noted in the chart below. Equipment put to personal use around a single household or residence is considered "Residential Use." Equipment put to any business use (agricultural, commercial, or industrial) or used at multiple locations is considered "Commercial Use." If any product is rented or leased, then the duration of these warranties shall be 90 days after the date of purchase.

An authorized Ariens dealer will repair any defect in material or workmanship, and repair or replace any defective part, subject to the conditions, limitations and exclusions set forth herein. Such repair or replacement will be free of charge (labor and parts) to the original purchaser; except as noted below. Pick-up and delivery are at the owner's expense.

The warranty code is found on the model and serial number identification label on the unit.

Warranty Code	Product Group	Warranty Period
AA	Serialized Attachments	1 Year.
CQ	Zenith Mowers	2 Years.
HA	Zoom, Zoom-XL, IKON-X, and IKON-XL Mowers	3 Years Residential Use. 90 Days Commercial Use.
HB	Apex Mowers	3 Years Residential Use. 1 Year Commercial Use.
HD	LM-Series Walk-Behind Mowers	3 Years Residential Use. 90 Days Commercial Use.
PA	Log Splitters and 921-Series Brushes	3 Years Residential Use. 90 Days Commercial Use.
PB	926-Series Brushes	3 Years Residential Use. 1 Year Commercial Use.
SA	Professional Sno-Thro	3 Years Residential Use. 1 Year Commercial Use.
SB	Compact, Deluxe and Platinum Sno-Thro and Path-Pro	3 Years Residential Use. 90 Days Commercial Use.
SC	Sno-Tek	2 Years Residential Use. 90 Days Commercial Use.
SD	Deluxe and Platinum EFI Sno-Thro	3 Years Residential Use. 90 Days Commercial Use.
SE	920-Series Classic Sno-Thro	3 Years Residential Use. 90 Days Commercial Use.

* Whichever comes first.

Special Extensions

The chart below details special **extensions** to warranty terms. Warranty terms are total time periods covered. If any product is rented or leased, there are no extensions to the 90-day warranty.

Warranty Code	Warranty Term Extension	Warranty Period	Detail
HA, HB	Mower Deck Shell and Main Frame	5 Years Limited Residential Use. No Commercial Warranty.	Years 1 – 3 parts and labor. Years 4 – 5 parts only.
SA	Cast Iron Auger Gear Case	5 Years Residential and Commercial Use.	
SB, SD	Cast Iron Auger Gear Case	5 Years Residential Use. 1 Year Commercial Use.	
SE	Aluminum Auger Gear Case	3 Years Residential Use. 90 Days Year Commercial Use.	

Exclusions and Limitations

The charts below detail special **exclusions and limitations** to this warranty.

Warranty Term Exclusions	Warranty Period
Air filters, auger paddles, brake arms, brake linings, brake shoes, brushes, cutters, fuel filters, headlights, knives, light bulbs, lubricants, mower blades, oil, oil filters, spark plugs, scraper blades, shear bolts and skid shoes.	Components are not covered under warranty.

Hydro-Gear Transaxle Limitation
See Hydro-Gear warranty. The warranty is administrated by AriensCo.

Warranty Term Limitations	Warranty Period
Cloth, Plastic and Rubber Components. Mufflers, Tires, Belts and Cables.	2 Years Residential Use. No Commercial Warranty. Components are covered for manufacturer's defect only, not wear.

Exclusions – Items Not Covered by This Warranty

- Parts that are not genuine Ariens service parts are not covered by this warranty and may void the warranty if the parts result in premature wear or damage to the product.
- Damages resulting from the installation or use of any part, accessory, or attachment which is not approved by AriensCo for use with product(s) identified herein are not covered by this warranty.
- Any misuse, alteration, improper assembly, improper adjustment, neglect, or accident which requires repair is not covered by this warranty.
- Repairs or adjustments required due to failure to use fresh fuel or failure to properly prepare the unit for periods of non-use.
- **Use of gasoline blends exceeding 10% ethanol voids any and all warranties.**
- Products are designed to the specifications in the area that the product was originally distributed. Different areas may have significantly different legal and design requirements. This warranty is limited to the requirements in the area in which the unit was originally distributed. AriensCo does not warrant this product to the requirements of any other area. Warranty service is limited to service within the area originally distributed.
- In countries other than the United States and Canada, contact the AriensCo dealer for warranty policies that govern within your country. Rights may vary from country to country and within any one country.

Evaporative Emissions Control Warranty Exception

As required by the California Air Resources Board (CARB) and the US Environmental Protection Agency (EPA) the evaporative emissions control system is warranted to the ultimate purchaser, and any subsequent owner, for two years.

The CARB and EPA evaporative emissions control system warranty is described in a separate evaporative emission control warranty statement.

Pro-Rated Battery Warranty

Battery warranty is pro rated for one year and is based on the total cost for battery replacement. Units used for rental or lease have no exceptions to the 90-day warranty. Total battery reimbursement will not exceed 45.00 USD.

Months	% Coverage
1 – 3	100
4	75
5	66.6

Months	% Coverage
6	58.3
7	50.0
8	41.6

Months	% Coverage
9	33.3
10	25.0
11	16.6
12	8.3

Engines

The chart below details engine warranty information. Engine warranty terms may vary from the specific terms of this warranty. If inconsistent, the terms of the engine warranty shall apply to the engine and its component parts.

Engine Manufacturer	Detail
Ariens AX	Ariens- and Yamaha-branded engines are warranted by the manufacturer and the warranty is administered by AriensCo. Refer to the engine manual for warranty statements.
Yamaha	
Briggs & Stratton, Kawasaki, Kohler, Subaru	Covered by the engine manufacturer's warranty. Refer to the engine manufacturer's warranty statements.

Parts and Accessories

Service replacement parts and non-serialized accessories are warranted for 90 days from date of purchase. Parts and accessories must be installed by an authorized Ariens dealer to be covered. Labor is not included.

Customer Responsibilities

Register the product immediately at the time of sale. If the dealer does not register the product, the customer must register the unit on-line at www.ariens.com.

To obtain warranty service, the **original purchaser** must:

- Ensure that the maintenance and adjustments explained in the Operator's Manual are routinely completed.
- Promptly notify AriensCo or an authorized Ariens service representative of the need for warranty service.
- Transport the product to and from the place of warranty service at owner's expense.
- Have the warranty service performed by an authorized Ariens service representative.

To find an authorized dealer use the dealer locator on our websites, or contact us by mail or phone.

Globally except Australia or New Zealand:	Australia:	New Zealand
AriensCo 655 W. Ryan Street Brillion, WI 54110 Phone: (920) 756 - 4688 www.ariensco.com	Masport Australia Pty Ltd 27 Commercial Drive Dandenong South Victoria 3175 Australia Phone: 1300 366 225 www.masport.com.au	Masport Ltd 1-37 Mt. Wellington Highway, Panmure, Auckland 1060 New Zealand Phone: 0800 627 7678 www.masport.co.nz

Disclaimer

AriensCo may from time to time change the design of its products. Nothing contained in this warranty shall be construed as obligating the AriensCo to incorporate such design changes into previously manufactured products, nor shall such changes be construed as an admission that previous designs were defective.

Limitation of Remedy and Damages

AriensCo liability under this warranty, and under any implied warranty that may exist, is limited to repair of any defect in workmanship, and repair or replacement of any defective part. AriensCo shall not be liable for incidental, special, or consequential damages (including lost profits). Some states do not allow the exclusion of incidental or consequential damages, so the above limitation or exclusion may not apply to you.

Australian Consumer Law

The following applies solely to warranties subject to Subsection 102(1) of the Australian Consumer Law: Our goods come with guarantees that cannot be excluded by the Australian Consumer Law. You are entitled to a replacement or refund for a major failure and for compensation for any other reasonably foreseeable loss or damage. You are also entitled to have the goods repaired or replaced if the goods fail to be of acceptable quality and failure does not amount to a major failure.

Disclaimer of Further Warranty

AriensCo makes no warranty, express or implied, other than what is expressly made in this warranty. If the law of your state provides that an implied warranty of merchantability, or an implied warranty of fitness for particular purpose, or any other implied warranty, applies to AriensCo, then any such implied warranty is limited to the duration of this warranty. Some states do not allow limitations on how long an implied warranty lasts, so the above limitation may not apply to you.

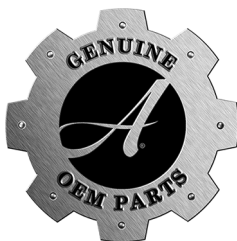
This warranty gives you specific legal rights, and you may also have other rights which vary from region to region.



ARIENS
THE KING OF SNOW

655 West Ryan Street
Brillion, WI 54110

www.ariens.com



parts.ariens.com

WARNING

The engine exhaust from this product contains chemicals known to the State of California to cause cancer, birth defects and other reproductive harm.

ARIENS | CO

