

Water Wiggler Model 4WW

Caution

- Do not immerse plastic battery/motor compartment in water.
- Do not allow unit to tip over in bird bath.
- Do not use without metal legs installed.
- Do not allow material such as algae, twigs, or leaves to become attached to the agitator. Such attachments will shorten battery life significantly.
- Always keep water level at least 1/4" below the plastic base.
- If battery/motor compartment does become wet:
 1. Open unit and remove batteries. Dry batteries with a towel.
 2. Dry battery compartment and motor using hair dryer.
- Change batteries when unit no longer creates waves.
- This unit will not de-ice water. Remove the batteries and store the unit during the winter.

Directions

1. Remove the screw in the top of the dome to separate the dome from the base [figure 1]. Don't lose the screw.
2. Insert the 3 "U" shaped wire supports into the base of the unit [figure 2].

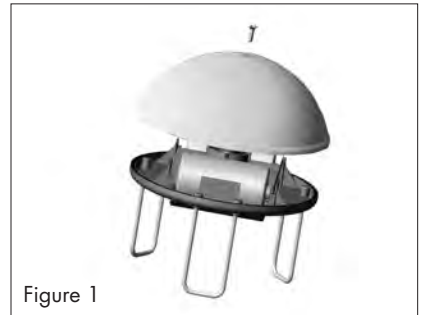


Figure 1



Figure 2

3. Attach the “stirring device” to the motor by pressing into place using the center hole in stirring device [figure 3].

4. Now insert the two “D” cell batteries [figure 4]. The “stirring device” will begin turning once the batteries are inserted. Be sure to insert the batteries in the direction indicated in the unit.

5. Close the unit by reinstalling screw on top of dome.

6. When the bird bath is filled completely with water (as will happen after a heavy rain) the highest water level must remain at least 1/4” below the plastic bottom of the Water Wiggler. To determine the depth of your bird bath. Place the Water Wiggler in the deepest portion of bird bath [figure 5]. Place a yardstick or other “straightedge” device across the top rim of the birdbath. If the maximum high-water level (simulated by the straightedge placed across the bird bath) is less than 1/4” from the plastic bottom of the Water Wiggler, then you must raise the unit by placing a stable and level support under the Water Wiggler. Be sure the unit is secure and will not fall off of this raised support.



Figure 3

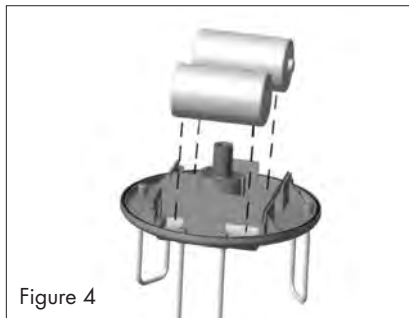


Figure 4

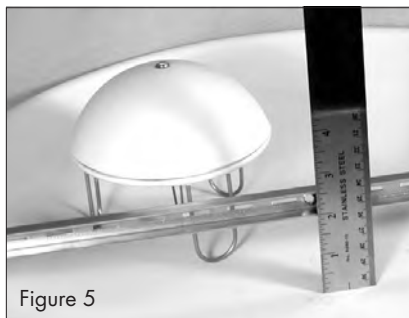


Figure 5



ALLIED PRECISION INDUSTRIES, INC.

705 East North Street • Elburn, Illinois 60119

Illustrations may not
exactly match your unit.